

SA8 Double Ball Strobe Head

22127

Instruction Manual

Thank you for purchasing SEA&SEA products. Please read this instruction manual carefully prior to using this product. Only with a thorough understanding of this manual's content will you be able to use the products correctly. After reading the manual, please be sure to keep it in a place where you can easily come back to it at any time.

Note:

The appearance of color evenness or weld lines on the external body of the product is normal and will not affect its performance.

Safety Precautions

Failure to heed the precautions listed below could result in serious consequences. To prevent injury or damage to yourself and/or others, please observe the precautions as they contain highly important information related to personal and product safety.

CAUTION Situations that could result in property damage or personal injury.

CAUTION

- Always make sure that the camera, strobe, light and accessories are securely mounted to prevent them from falling off, becoming lost, causing personal injury or equipment malfunction.
- Rinse the product with fresh water, after underwater use. Refer to [Maintenance and Storage] for details.
- When in use, check the clamp lever or screws, and tighten them when they loosen.
- Do not assemble the arm or other underwater photography equipment in sandy or dusty environments.
- Avoid strong shocks/impacts or excess stress to prevent malfunction, damage or breakdown. Make sure that the product has been securely mounted to other products in order to prevent injury, fall or missing.
- Do not leave the product in places with hot temperatures such as inside of a car or in a car trunk in summer.
- Do not store the product in wet or high humidity place, to avoid mold, rust, corrosion or malfunction.
- SEA&SEA SUNPAK Co., Ltd. will not be responsible for the replacement or compensation for cameras, lenses or those accessories damaged due to your invalid operation.
- SEA&SEA SUNPAK Co., Ltd. assumes no liability for compensation of loss of captured images or expenses caused by loss of images, even if you are unable to shoot due to a product defect or malfunction.
- SEA&SEA SUNPAK Co., Ltd. assumes no liability for errors or discrepancies in this manual.

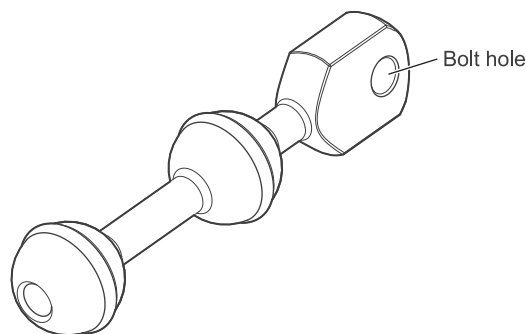
Maintenance and Storage

- Never use chemicals, cosmetics, any petroleum solvents such as paint thinner, or neutral detergent on the product. They may deform and damage the product.
- After each use in salt water, soak it sufficiently in fresh water.
- Insufficient soaking causes damage by salt to the product. Salty residue may be left on the product where it will crystallize as it evaporates. Crystallized salt is hard to dissolve and difficult to be removed once formed.
- After rinsing, dry the product well with a soft dry cloth, then let the product dry in the shade, out of direct sunlight.
- Do not dry the product by heating (using a hair dryer, for example). Heating can deform and damage the product.
- If you will not use the product for an extended period of time, store it away from high temperatures, high humidity, direct sunlight, or extreme cold.
- Do not store the product with naphthalene or camphor mothballs, or in locations such as a laboratory where chemicals are used. This environment can cause mold, rust, corrosion or malfunction.
- Store the system after use with each component disjoined.

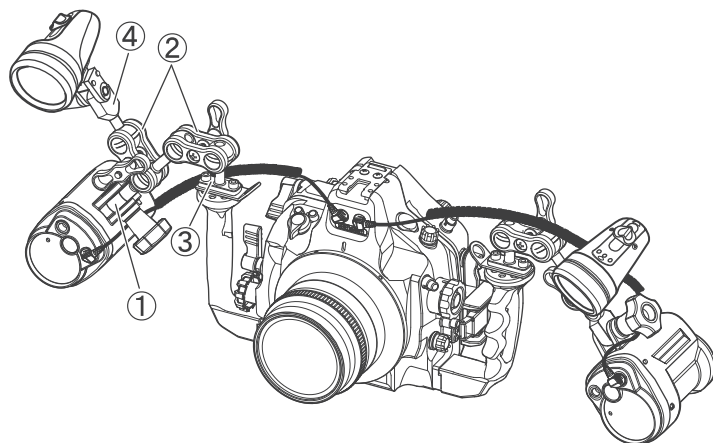
SA8 Double Ball Strobe Head

Please use this product in combination with the optional SA8 series components (Double ball arm, Strobe head, Ball clamp, and Base base etc.).

Please refer to the Sea Arm 8 instruction manual for details.

**System example****Mounted to a digital SLR housing**

- ①: Double Ball Strobe Head (x2)
- ②: Ball Clamp (x4)
- ③: Fixed Ball Base (x2)
- ④: Strobe Head S (x2)



- Be sure to release the rigidity of the clamps before adjusting the angle of the jointed components.
- Do not tighten up the clamps but give flexibility to the joints when not shooting.
- Replace the O-ring on the ball when it is cracked, damaged or broken.

Specifications

Construction	Corrosion-resistant aluminium alloy, Rubber
Weight	Approx. 70g (2.47oz)
Dimensions	Approx. 121.3mm / 4.8inch
Accessories	Instruction Manual

* Specifications and appearance are subject to change without notice.