

Thank you for purchasing SEA&SEA products. Please read this instruction manual carefully prior to using this product. Only with a thorough understanding of this manual's content will you be able to use the product correctly. After reading the manual, please be sure to keep it in a place where you can easily come back to it at any time.

Precautions

Failure to heed the precautions listed below could result in serious consequences. To prevent injury or damage to yourself and/or others, please observe the precautions as they contain highly important information related to personal and product safety.



CAUTION

Situations that could result in property damage or personal injury.

CAUTION

- Always make sure that the camera, strobe, light and accessories are securely mounted to prevent them from falling off, becoming lost, causing personal injury or equipment malfunction.
- Rinse the product with fresh water, after underwater use. Refer to [Maintenance and Storage] for details.
- When in use, check the Clamp lever or screws, and tighten them when they loosen.
- Do not assemble the arm or other underwater photography equipment in sandy or dusty environments.
- Avoid strong shocks/impacts or excess stress to prevent malfunction, damage or breakdown. Make sure that the product has been securely mounted to other products in order to prevent injury, fall or missing.

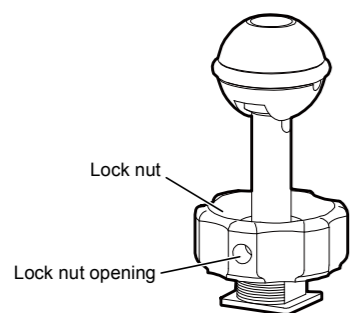
- Do not leave the product in places with hot temperatures such as inside of a car or in a car trunk in summer.
- Do not store the product in wet or high humidity place, to avoid mold, rust, corrosion or malfunction.
- SEA&SEA SUNPAK Co., Ltd. will not be responsible for the replacement or compensation for cameras, lenses or those accessories damaged due to your invalid operation.
- SEA&SEA SUNPAK Co., Ltd. assumes no liability for compensation of loss of captured images or expenses caused by loss of images, even if you are unable to shoot due to a product defect or malfunction.
- SEA&SEA SUNPAK Co., Ltd. assumes no liability for errors or discrepancies in this manual.

Maintenance and Storage

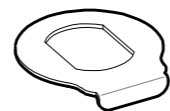
- Never use chemicals, cosmetics, any petroleum solvents such as paint thinner, or neutral detergent on the product. They may deform and damage the product.
- After each use in salt water, soak it sufficiently in fresh water.
- Insufficient soaking causes damage by salt to the product. Salty residue may be left on the product where it will crystallize as it evaporates. Crystallized salt is hard to dissolve and difficult to be removed once formed.
- After rinsing, dry the product well with a soft dry cloth, then let the product dry in the shade, out of direct sunlight.
- Do not dry the product by heating (using a hair dryer, for example).

- Heating can deform and damage the product.
- If you will not use the product for an extended period of time, store it away from high temperatures, high humidity, direct sunlight, or extreme cold.
- Do not store the product with naphthalene or camphor mothballs, or in locations such as a laboratory where chemicals are used. This environment can cause mold, rust, corrosion or malfunction.
- Store the system after use with each component disjointed.
- Every two years we recommend a complete overhaul of O-rings regardless of the frequency in use, for the best performance of the product.

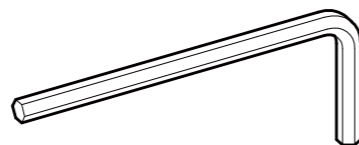
Identification of Parts



Ball Base for Accessory Shoe II



Hook plate



Hex wrench

Specifications

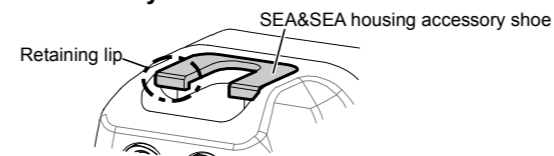
Construction	Corrosion-resistant aluminium alloy (anodized finish), rubber
Dimension(W×H×D)	67×35×35 mm / 2.6×1.4×1.4 inch
Weight	55g / 1.9oz
Accessories	Hex wrench, Hook plate, Instruction Manual

*The specifications and appearance are subject to change without notice.

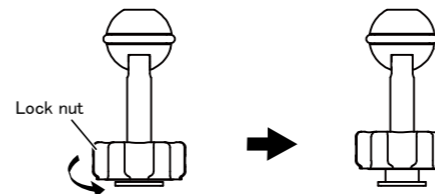
How to mount to the accessory shoe on camera / video housings

How to mount to the accessory shoe on SEA&SEA camera/video housings

The ball base can be mounted without the Hook Plate on: SEA&SEA housings and other housings with a retaining lip on the accessory shoe.

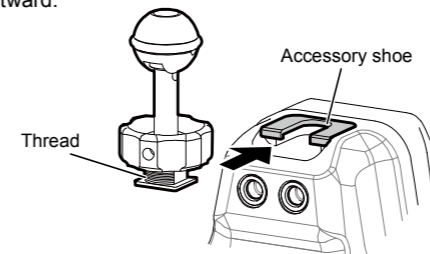


1 Shift the lock nut upward by rotating it counterclockwise.



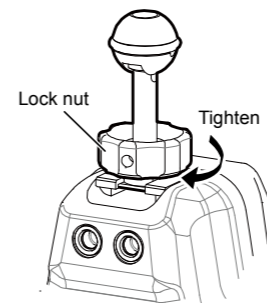
2 Align the thread facing forward, and slide the ball base into the accessory shoe on the housing

- The ball base cannot be mounted when the flat surface is facing forward.



3 Shift the lock nut downward and tighten it up by rotating it clockwise.

- Make sure the ball base is fixed without backlash.

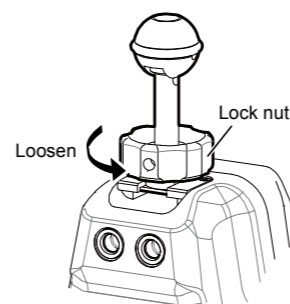


CAUTION

When in use, check the base nut and tighten it if it loosens.

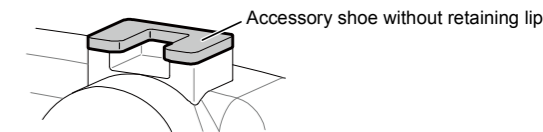
How to remove the Ball Base from housing accessory shoe

Rotate the lock nut counterclockwise.

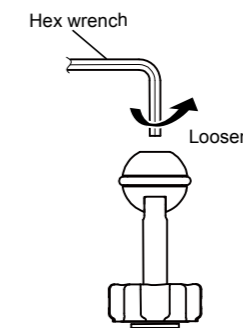


How to mount on accessory shoes without a retaining lip

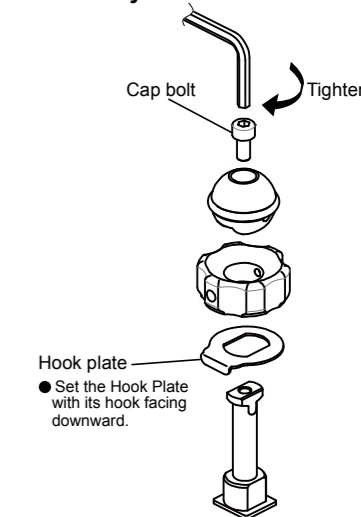
The accessory Hook Plate must be fitted in order to mount the Ball Base to an accessory shoe without a retaining lip.



1 Rotate the hex wrench counterclockwise, remove the cap bolt.

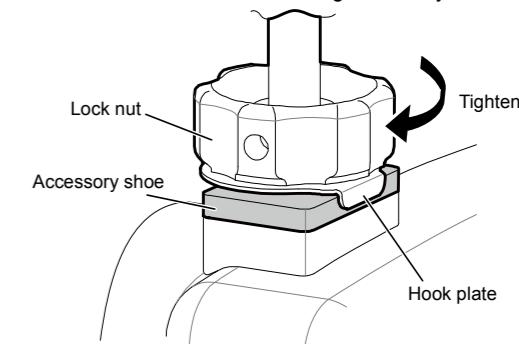


2 Align the accessory Hook Plate and other parts as shown in the figure, then tighten the Cap Bolt by rotating clockwise with the accessory hex wrench.



3 Align the Hook Plate over the rear of the housing accessory shoe, then tighten the Ball Base by rotating the Lock Nut clockwise with the hex wrench.

- The Hook Plate cannot be fitted to all housing accessory shoes, due to their design.



When the Lock Nut cannot be loosened due to salt residue

Insert the hex wrench into the Lock nut opening, then turn the hex wrench counter-clockwise.

