

Thank you for purchasing SEA&SEA products.

Please read this instruction manual carefully prior to using this product. Only with a thorough understanding of this manual's content will you be able to use the product correctly. After reading the manual, please be sure to keep it in a place where you can easily come back to it at any time.

Safety Precautions

Failure to heed the precautions listed below could result in serious consequences. To prevent injury damage to yourself and/or others, please observe the precautions as they contain highly important information related to personal and product safety.

WARNING Situations that could result in severe injury or death.

CAUTION Situations that could result in property damage or personal injury.

WARNING

- Keep out of reach of children to prevent accidental ingestion. If swallowed, seek medical advice immediately.

CAUTION

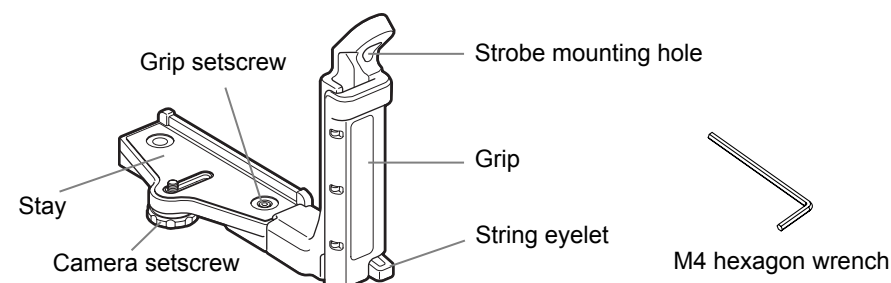
- Always make sure that the camera, strobe, light and accessories are securely mounted to prevent them from falling off, becoming lost, causing personal injury or equipment malfunction.
- The maximum weight that can be mounted to the Grip-Stay S is approx. 1 kg / 35 oz.
- When in use, check the Ball Joint knobs or screws of Sea Arm Base/Stay Set, and tighten them when they loosen. SEA&SEA Products Ltd. will not be responsible for cameras, housings, etc. that have disengaged, fallen off, lost or damaged.
- Do not assemble the arm or other underwater photography equipment in sandy or dusty environments.
- Do not bend or apply excessive stress to this product.
- Read the instruction manual and observe proper precautions before use of this product.
- Unauthorized disassembling and/or modification could result in malfunction or flooding, and void product warranty. Take the product to a SEA&SEA authorized service center for repair or inspection.
- Avoid strong shocks/impacts or excess stress to prevent malfunction, damage or breakdown. Make sure that the product has been securely mounted to other products in order to prevent injury, fall or missing.

- Do not carry the camera or housing by holding the accessories such as arm, cable, strobe, etc. Heavy components may fall and cause damage or injury.
- Do not leave the product in places with hot temperatures such as inside of a car or in a car trunk in summer. The heat may deform plastic parts of the product, damaging internal parts and resulting in potential fire or electric shock. If the product is sealed tight in hot conditions, heated air expanding inside the product may deform the casing and ruin the waterproofing.
- Do not store the product in wet or high humidity place, to avoid mold, rust, corrosion or malfunction.
- Do not store the product with naphthalene or camphor mothballs, or in locations such as a laboratory where chemicals are used. This environment can cause mold, rust, corrosion or malfunction.
- Do not store the product wet. Thoroughly dry the glass surface using a soft non-scratching cloth to prevent spot marks.
- SEA&SEA SUNPAK Co., Ltd. assumes no liability for compensation of loss of captured images or expenses caused by loss of images, even if you are unable to shoot due to a product defect or malfunction.
- SEA&SEA SUNPAK Co., Ltd. will not be responsible for the replacement or compensation for cameras, lenses or those accessories damaged due to your invalid operation.
- SEA&SEA SUNPAK Co., Ltd. assumes no liability for errors or discrepancies in this manual.
- Specifications and appearance are subject to change without notice.

Maintenance and Storage

- Never use chemicals, cosmetics, any petroleum solvents such as paint thinner, or neutral detergent on the product. They may deform and damage the product.
- After each use in salt water, make sure it's watertight, then soak it sufficiently in fresh water.
- Insufficient soaking causes damage by salt to the product. Salty residue may be left on the product where it will crystallize as it evaporates. Crystallized salt is hard to dissolve and difficult to be removed once formed, and it will result in water leakage.
- After rinsing, dry the product well with a soft dry cloth, then let the product dry in the shade, out of direct sunlight.
- Do not dry the product by heating (using a hair dryer, for example). Heating can deform and damage the product.
- If you will not use the product for an extended period of time, store it away from high temperatures, high humidity, direct sunlight, or extreme cold.
- Do not store the product with naphthalene or camphor mothballs, or in locations such as a laboratory where chemicals are used. This environment can cause mold, rust, corrosion or malfunction.
- Every two years we recommend a complete overhaul of O-rings regardless of the frequency in use, for the best performance of the product.

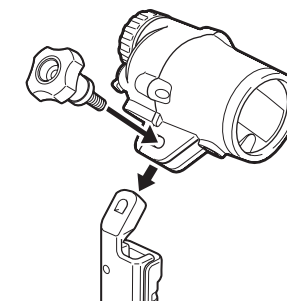
Identification of Parts



How to Mount to the Camera or Housing

1 Mounting the strobe.

- Insert the strobe fixing bolt into the strobe mounting hole and tighten.
- Align the distance, and change the strobe mounting angle.
- Carry out this procedure in reverse when removing.



2

Align the camera setscrew with the tripod socket of the camera or housing and tighten lightly.

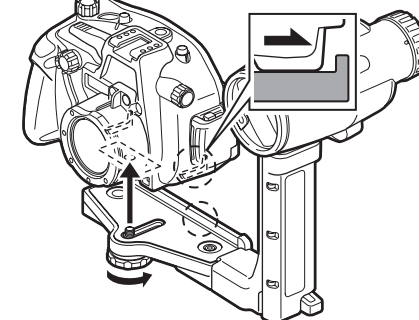
3

Slide the camera or housing until the bottom hits the edge of the stay, and confirm that it is not loose.

4

Firmly tighten and fix with the camera setscrew.

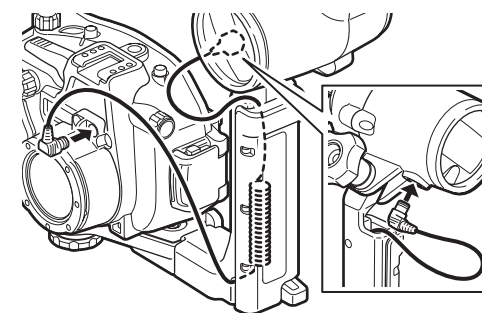
- Do not tighten the camera setscrew more than necessary. This can cause damage or flooding to the camera or housing, etc.



5

Attaching the fiber-optic cable.

- Insert the fiber-optic cable upward from the bottom of the grip. Connect the fiber-optic cable to the strobe and the camera or housing.



Removing the Stay from the Grip

Using the included hexagon wrench, turn the grip setscrew counterclockwise and remove, and then remove the grip.

Specifications

Construction	Plastic, Stainless steel, Brass, Rubber	Weight	300 g (10.6 oz)
Dimensions	216 (W) × 184 (H) × 72.5 (D) mm (8.6 × 7.4 × 2.9 inches)	Accessory	M4 hexagon wrench

* The specifications and appearance are subject to change without notice.