

# Canon EF-S 60mm F2.8 USM Focus Gear

## Instruction Sheet

Thank you for purchasing Sea & Sea product.

Please carefully read this Instruction Sheet prior to use and keep it for future reference.

## Safety Precautions

### ⚠ CAUTION!

- O-ring is used in this product for interlocking the lens and the gear. In some cases, the interlocking may be too tight to insert the lens, or too loose due to the deviation in lens diameter.
- ① **When the interlocking is too tight and it is difficult to insert the lens:**  
Remove the O-ring that is attached to the gear, cut into 3-6 pieces with a cutting implement such as scissors, allow enough space between each O-ring as shown in figure 1, and adjust the tightness.
- ② **When the interlocking is too loose and the lens does not follow the movement of the gear:**  
Remove the O-ring attached to the gear and exchange it with the thick O-ring. If too tight, adjust the thick O-ring as per step ①. If the rings do not tighten properly even after exchanging, cut the attached sheet into 3-6 pieces with a cutting implement such as scissors, attach them to the sides of the O-rings on the interior of the gear, and adjust the tightness to allow tightening.
- Some lenses do not accept the thicker O-ring depending on their sizes. In this case, adjust the tightness by following the above procedure ① and applying the sheet included in the package.
- When the interlocking is too tight, do not force the gear in, since the lens may get damaged. Follow the above procedure ① and make adjustments before inserting the lens. Always make sure that the gear and the lens work properly after adjustment.
- SEA&SEA SUNPACK Co., Ltd. will not be responsible for potential lens damage which could occur when attaching or removing the gear improperly or possibly during use.

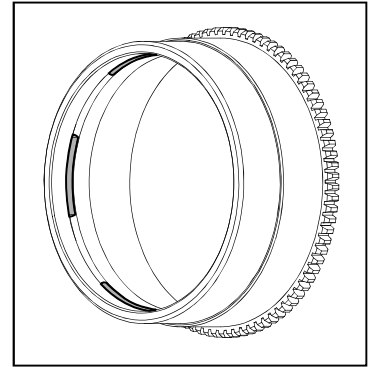


Figure 1

## About the Focus Gear

This focus gear enables manual focus operation via the focus/zoom knob when used with a Sea & Sea made digital single lens reflex camera housings DX-300D/350D.

## How to Attach the Focus Gear

Hold the focus gear parallel to the lens as shown in figure 2, and insert until the positions of A and B overlap as shown in figure 3. If the rubber grip on the barrel of the lens becomes dislodged from the lens, please remove the gear and follow the above procedure again.

- Confirm that it is set in the proper position.
- Make sure the focus gear and the housing gear mesh.

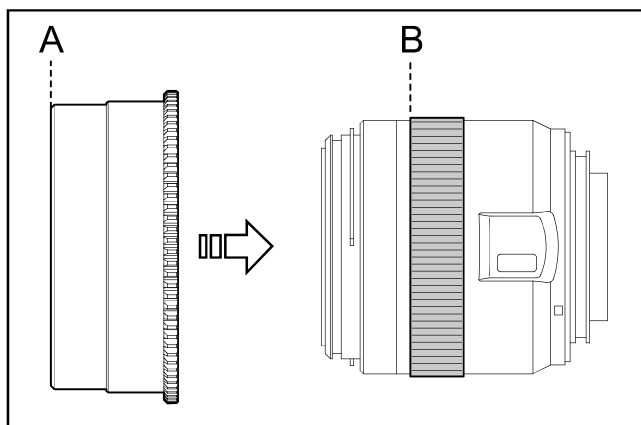


Figure 2

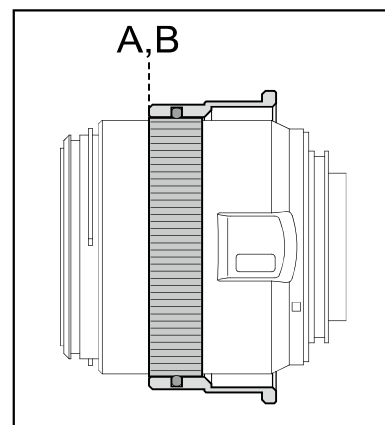


Figure 3

\*Specifications, appearance, etc. are subject to change without notice.