

## Canon EF-S 18-55mm F3.5-5.6 II USM Zoom Gear

31119

## Instruction Manual

Thank you for purchasing SEA&SEA products. Please read this instruction manual carefully prior to using this product. Only with a thorough understanding of this manual's content will you be able to use the product correctly. After reading the manual, please be sure to keep it in a place where you can easily come back to it at any time.

## Note:

The appearance of color evenness or weld lines on the external body of the product is normal and will not affect its performance.

## Safety Precautions

Failure to heed the precautions listed below could result in serious consequences. To prevent injury or damage to yourself and/or others, please observe the precautions as they contain highly important information related to personal and product safety.

**CAUTION** Situations that could result in property damage or personal injury.

**CAUTION**

- Carefully observe the instruction manual for the compatible lens for this product before use.
- When setting up the equipment with this product, always make sure that the gear and the lens work properly before using the equipment.
- SEA&SEA SUNPAK Co., Ltd. will not be responsible for the replacement or compensation for cameras, lenses or those accessories damaged due to your invalid operation.
- SEA&SEA SUNPAK Co., Ltd. assumes no liability for compensation of loss of captured images or expenses caused by loss of images, even if you are unable to shoot due to a product defect or malfunction.
- SEA&SEA SUNPAK Co., Ltd. assumes no liability for errors or discrepancies in this manual.

## Maintenance and Storage

- Never use chemicals, cosmetics, any petroleum solvents such as paint thinner, or neutral detergent on the product. They may deform and damage the product.
- Do not dry the product by heating (using a hair dryer, for example). Heating can deform and damage the product.
- If you will not use the product for an extended period of time, store it away from high temperatures, high humidity, direct sunlight, or extreme cold.
- Do not store the product with naphthalene or camphor mothballs, or in locations such as a laboratory where chemicals are used. This environment can cause mold, rust, corrosion or malfunction.

## Zoom Gear

This product is designed to make lens zooming possible utilizing the focus/zoom dial on SEA&SEA digital SLR camera housings.

**CAUTION**

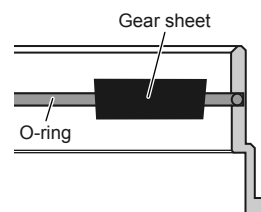
- When using this product, you cannot shoot with manual focus. Please shoot with auto focus.

## Preparation for Installation

For EF-S 18-55mm F3.5-5.6 USM / EF-S 18-55mm F3.5-5.6 II USM Lens

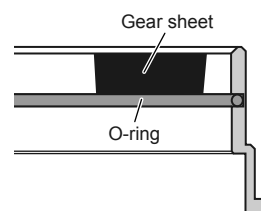
1 Replace the O-ring with the O-ring that is supplied with this product.

2 Cut the seat into 3 pieces, and apply them on the O-ring inside the gear



For EF-S 18-55mm F3.5-5.6 IS / EF-S 18-55mm F3.5-5.6 IS II Lens

1 Cut the seat into 3 pieces, and apply them beside the O-ring inside the gear



## Installation

For EF-S 18-55mm F3.5-5.6 USM Lens

Please set this product on a lens in the following procedures.

1 Set the focus mode switch on the lens to "AF" position

- Refer to the lens instruction manual for setting of the focus mode switch.

2 Attach this product to the lens in parallel alignment with the lens as shown in Fig.1, and insert until the positions of A and B overlap as shown in Fig.2.

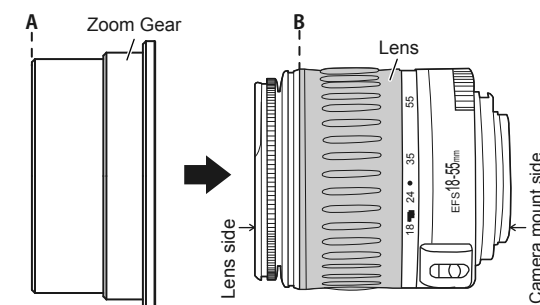
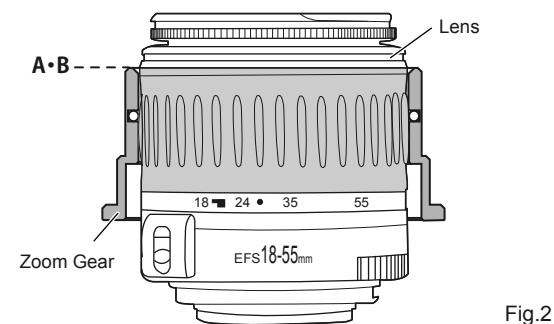


Fig.1

3 Mount the lens, with the gear attached, to the camera, and then mount the camera in the housing

- Refer to the housing instruction manual for mounting the camera in the housing.
- After mounting the camera in the housing, always try operating the focus/zoom dial on the housing to make sure that the lens works smoothly and properly with the gear attached. If the gear is not properly attached to the lens or is out of parallel alignment, the zoom operation may not work properly.



For EF-S 18-55mm F3.5-5.6 II USM / EF-S 18-55mm F3.5-5.6 IS / EF-S 18-55mm F3.5-5.6 IS II Lens

Please set this product on a lens in the following procedures.

1 Set the focus mode switch on the lens to "AF" position

- Refer to the lens instruction manual for setting of the focus mode switch.

2 Attach this product to the lens in parallel alignment with the lens as shown in Fig.3, and insert until the positions of A and C overlap as shown in Fig.4.

3 Mount the lens, with the gear attached, to the camera, and then mount the camera in the housing

- Refer to the housing instruction manual for mounting the camera in the housing.
- After mounting the camera in the housing, always try operating the focus/zoom dial on the housing to make sure that the lens works smoothly and properly with the gear attached. If the gear is not properly attached to the lens or is out of parallel alignment, the zoom operation may not work properly.

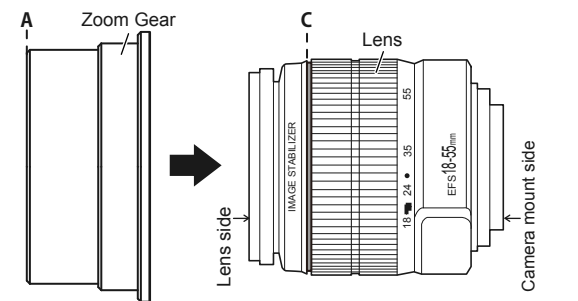


Fig.3

**CAUTION**

- If the interlocking is too tight or loose for attachment, adjust it according to the procedure described in "Interlocking Adjustment."
- Ensure that the rubber pieces inside the gear do not come out of the groove when detaching the gear from the lens.

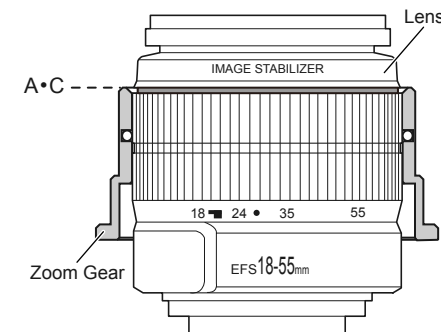


Fig.4

## Interlocking Adjustment

When attaching the gear to the lens, the interlocking may be too tight (the gear cannot be fixed in the prescribed position) or loose (the gear slips without interlocking) due to deviation in the lens diameter. Adjust the tightness / looseness by following the procedure described below.

## ① When too tight

Shorten the length of the O-ring pieces inserted into the groove inside the gear. Re-insert the shortened pieces into the groove, providing ample space between the pieces. Adjust the lengths of the O-ring pieces for appropriate tightness.

- Do not force the lens into the gear when the interlocking is too tight, because this may result in damage to the lens.

## ② When too loose

Replace the O-ring with the O-ring that is supplied with this product. Cut the O-ring into pieces approx. 4cm long, and insert 3 of the O-ring pieces into the groove inside the gear, providing ample space between the pieces. If the interlocking becomes too tight with the O-ring pieces, adjust the tightness as explained above ①. If the interlocking is still too loose with the O-ring pieces, use the gear sheet which is included in the package. Cut the sheet into 3 to 6 pieces, and apply them beside the groove inside the gear.

- Make sure that the applied gear sheet comes into contact with the zoom ring on the lens.
- The O-ring may not be compatible with some lenses due to size restrictions. In this case, adjust the looseness by applying the gear sheet without replacing the O-ring with the O-ring. If the interlocking becomes too tight, adjust the lengths of the O-ring for appropriate tightness.

**CAUTION**

- Always make sure that the gear and the lens work properly after adjustment.

## Specifications

Construction	Corrosion-resistant aluminum alloy
Weight	Approx. 78g
Dimensions (DIA × D)	Approx. 88 x 40mm / 3.5 x 1.57inch
Accessories	Gear sheet (stick-on), O-ring, Instruction manual

\*Specifications and appearance are subject to change without notice.

SEA&amp;SEA

SEA&SEA SUNPAK Co., Ltd  
1-4-6 Kitasenzoku, Ohta-ku, Tokyo, Japan  
145-0062 TEL. +81-3-5701-5533

http://www.seaandsea.jp

World Customer Service Center  
TEL. +81-48-255-8512

(Current as of Sep.2011)