

Focus Gear for Canon EF 100mm F2.8L Macro IS USM

31155

Instruction Manual

Thank you for purchasing SEA&SEA products. Please read this instruction manual carefully prior to using this product. Only with a thorough understanding of this manual's content will you be able to use the product correctly. After reading the manual, please be sure to keep it in a place where you can easily come back to it at any time.

Note:

The appearance of color evenness or weld lines on the external body of the product is normal and will not affect its performance.

Precautions

Failure to heed the precautions listed below could result in serious consequences. To prevent injury or damage to yourself and/or others, please observe the precautions as they contain highly important information related to personal and product safety.

CAUTION Situations that could result in property damage or personal injury.

CAUTION

- Carefully observe the instruction manual for the compatible lens for this product before use.
- When setting up the equipment with this product, always make sure that the gear and the lens work properly before using the equipment.
- SEA&SEA SUNPAK Co., Ltd. will not be responsible for the replacement or compensation for cameras, lenses or those accessories damaged due to your invalid operation.
- SEA&SEA SUNPAK Co., Ltd. assumes no liability for compensation of loss of captured images or expenses caused by loss of images, even if you are unable to shoot due to a product defect or malfunction.

Focus gear

- This product is designed for manual-focus operation possible utilizing the focus/zoom dial on SEA&SEA digital SLR camera housing.

CAUTION

- Make sure to set the lens to manual focus mode.

How to Attach to the Lens

- 1 Set the focus mode switch on the lens to "MF" position**
 - Refer to the lens instruction manual for setting of the focus mode switch.
- 2 Place the focus gear (this product) straight onto the lens from the glass side of the lens (Fig.1), and shift the focus gear until the end of the gear comes to be in the same position as the end of the focus ring on the lens to attach the focus gear (Fig.2)**
 - If the interlocking is too tight or loose for attachment, adjust it according to the procedure described in "Interlocking Adjustment."
 - There is no need to line up the notches on the focus gear with the position of the switch on the lens.
- 3 Mount the lens, with the gear attached, to the camera, and then mount the camera in the housing**
 - Refer to the housing instruction manual for mounting the camera in the housing.
 - After mounting the camera in the housing, always try operating the focus/zoom dial on the housing to make sure that the lens works smoothly and properly with the gear attached.
 - If the gear is not properly attached to the lens or is out of parallel alignment, the manual focus operation may not work properly.

CAUTION

- Ensure that the rubber pieces inside the gear do not come out of the groove when detaching the gear from the lens.

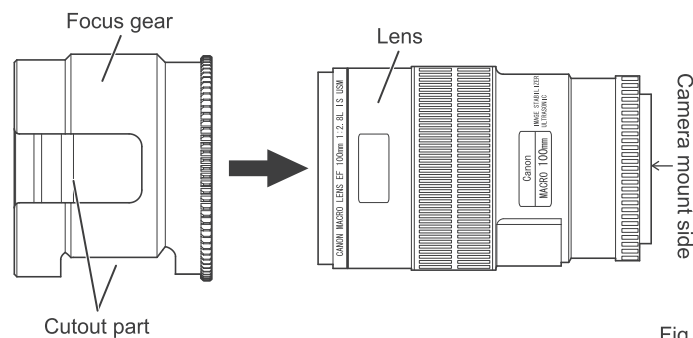


Fig.1

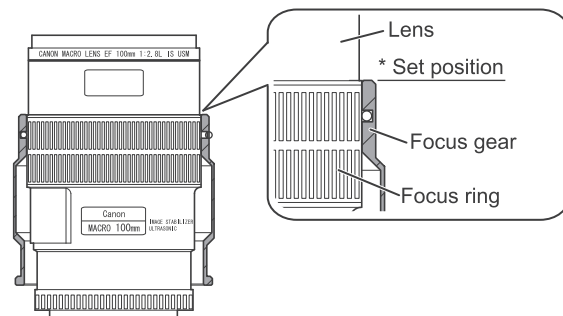


Fig.2

Interlocking Adjustment

When attaching the gear to the lens, the interlocking may be too tight (the gear cannot be fixed in the prescribed position) or loose (the gear slips without interlocking) due to deviation in the lens diameter. Adjust the tightness/looseness by following the procedure described below.

① When too tight

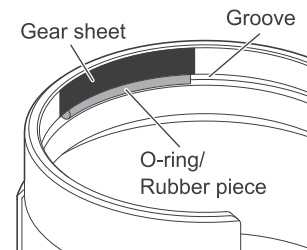
Shorten the length of the rubber pieces inserted into the groove inside the gear. Re-insert the shortened rubber pieces into the groove, providing ample space between the pieces. Adjust the lengths of the rubber pieces for appropriate tightness.

- Do not force the lens into the gear when the interlocking is too tight, because this may result in damage to the lens.

② When too loose

Replace the rubber pieces with the O-ring that is supplied with this product. Cut the O-ring into pieces approx. 4cm long, and insert 3 of the O-ring pieces into the groove inside the gear, providing ample space between the pieces. If the interlocking becomes too tight with the O-ring pieces, adjust the tightness as explained above ①. If the interlocking is still too loose with the O-ring pieces, use the gear sheet which is included in the package. Cut the sheet into 3 to 6 pieces, and apply them beside the groove inside the gear.

- Make sure that the applied gear sheet comes into contact with the focus ring on the lens.
- The O-ring may not be compatible with some lenses due to size restrictions. In this case, adjust the looseness by applying the gear sheet without replacing the rubber pieces with the O-ring. If the interlocking becomes too tight, adjust the lengths of the rubber pieces for appropriate tightness.

**CAUTION**

- Always make sure that the gear and the lens work properly after adjustment.

Specifications

Construction	Corrosion-resistant aluminum alloy
Weight	Approx. 85g / 3.0oz
Dimensions (DIA×D)	Approx. φ88×77mm / 3.5×3.1inches
Accessories	Gear sheet, O-ring, Instruction Manual

*The specifications and appearance are subject to change without notice.