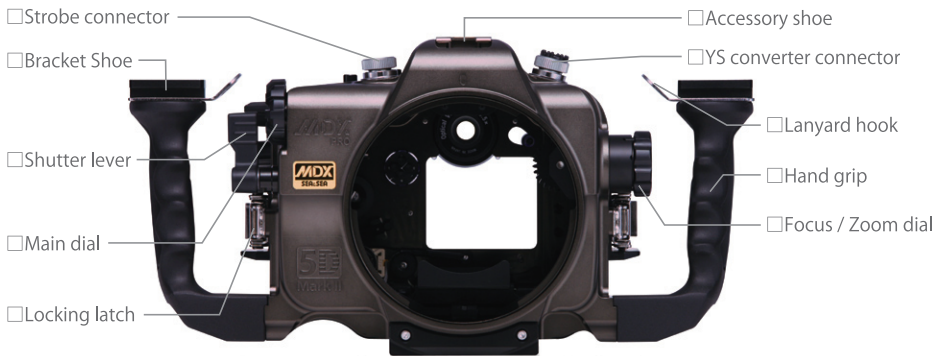
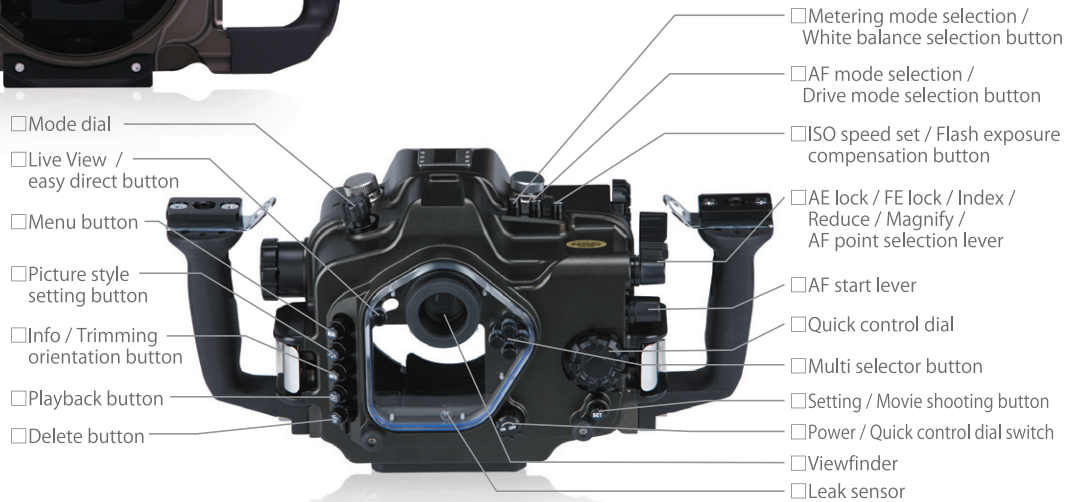


Impressive features and ergonomics for the most discerning photographers. A housing for the popular Canon EOS 5D Mark II.



Construction	Body: corrosion-resistant aluminum alloy (machined) Grip: corrosion-resistant die-cast aluminum alloy
Depth rating	60m / 200ft
Dimensions (WxHxD)	336x170x139mm / 13.4x6.8x5.6inch
Weight	Approx. 2,400g / 84oz (Housing only)

*Port is sold separately.



U/W Housing for Canon EOS 5D Mark II

MDX-PRO 5D Mark II

■ MDX-PRO 5D Mark II Housing (Dark olive metallic) (Housing only) [Product No. 06149](#)

Uses a lightweight and durable aluminum body that can withstand even the most severe shooting environments

The aluminum material used in MDX series housings makes it possible to manufacture a body that is both lightweight and strong. The all-new high-rigidity, high-durability and precision MDX series demonstrates the highest levels of performance under a variety of shooting conditions.



Realizing even more comfortable manual operation

Thoroughly pursued a unique structure where the fingers easily reach the main dial and the quick control dial. With a hand on the grip, snappy adjustment of the shutter / aperture can be made. An appropriate amount of clearance not found anywhere else realizes a high level of holding, which delivers an ideal shooting position.



Compact durable design

The new style of MDX series housings based on the premise of a professional level of photographic representation employs an even more aggressive design by integrating smooth curves and sharp edges. With the standard thickness of aluminum material being made even thinner than that of conventional models, we realized a reduction in size while maintaining rigidity.



*The LCD image pictured here is simulated.

Controls almost all of the Canon EOS 5D Mark II's essential functions underwater.

Every detail of the housing is precision machined from a solid aluminum block to achieve a high-quality texture and design. All edges have been polished carefully for safety.

The housing is protected by a highly corrosion resistant, anodized coating. The coating protects the housing from environmental corrosion and abrasions.

When using a YS Converter/C to enable the TTL auto adjustment, use a Sync Cord/N to connect it to a genuine SEA&SEA strobe.

The easily damaged front lower part is guarded by a bumper protector.

Accessories

YS Converter/C

[Product No. 50118](#)

This converter can be used to attach an external strobe to Canon digital SLR camera housings and allows for TTL adjustment.



5-pin Sync Cord/N

[Product No. 17100](#)

