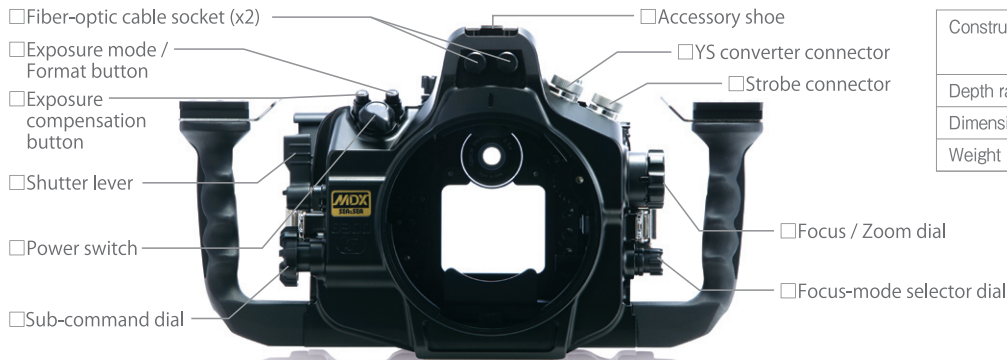
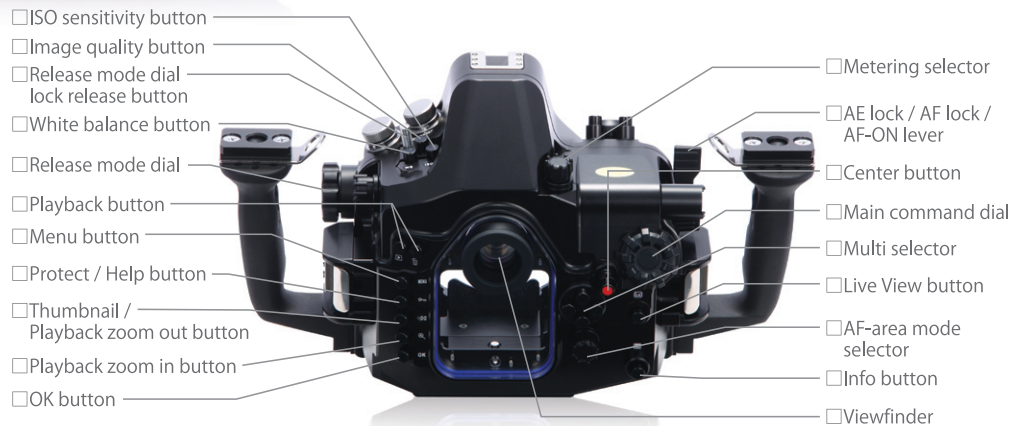


MDX housing for Nikon D300s, supports fiber-optic cable connection.



*Port is sold separately.



Construction	Body: corrosion-resistant aluminum alloy (machined) Grip: corrosion-resistant die-cast aluminum alloy
Depth rating	60m / 200ft
Dimensions (WxHxD)	339x185x122.6mm / 13.6x7.4x4.9inch
Weight	Approx. 2,500g / 87.5oz (Housing only)

U/W Housing for Nikon D300s

MDX-D300s

MDX-D300s Housing (Black) (Housing only) Product No. 06151

Two Fiber-optic cable sockets

Simply by connecting the Fiber-Optic Cable (L-type) to the connector, the light of the digital camera's built-in flash is detected and connected to an external strobe. This is considerably less complicated than setting up an electrical connector that requires detailed knowledge. It also eliminates any risks involved when the connector is submerged in water.



Realizes comfortable manual operation

Fully strove for a unique structure where the main command dial and subcommand dial can be reached easily. As a result, achieved a structure in which the subcommand dial was moved even closer to the grip than in previous models by adjustment of the chassis inside the housing. Can adjust the shutter/aperture in a snap while holding the grip. With just the right amount of clearance that can't be found anywhere else, this design realizes high hold to ensure an ideal shooting position.



TTL auto adjustment available when using an optional YS Converter/N

When using a YS Converter/N to enable the TTL auto adjustment, use a 5-pin Sync Cord/N to connect it to a genuine SEA&SEA strobe.



Compact durable design



*The LCD image pictured here is simulated.

Controls almost all of the Nikon D300s essential functions underwater.

Features a slanted (sideways) button on the back with an original structure. For balancing even more active functionality and styling in high dimension.

Accessories

YS Converter/N

Product No. 50117

This converter can be used to attach an external strobe to Nikon digital SLR camera housings and allows for TTL adjustment.



Fiber-Optic Cable (L-type)

Product No. 50107

This fiber-optic cable resists bending and has improved light-conducting efficiency.



5-pin Sync Cord/N

Product No. 17100

