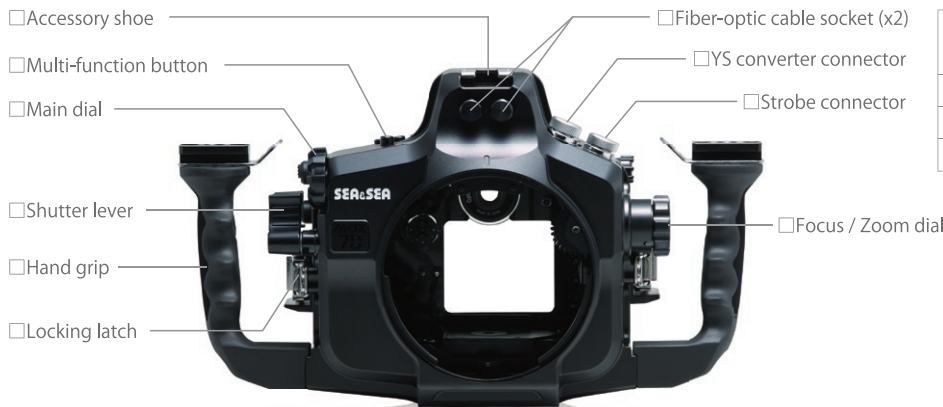
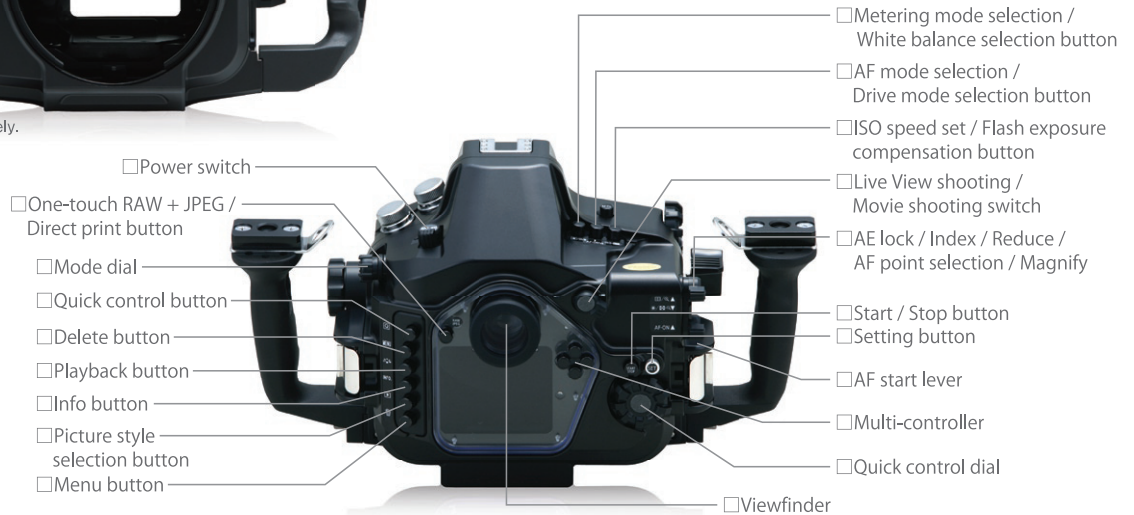


MDX housing for Canon EOS 7D, supports fiber-optic cable connection.



*Port is sold separately.



| | |
|--------------------|---|
| Construction | Body: corrosion-resistant aluminum alloy (machined) |
| | Grip: corrosion-resistant die-cast aluminum alloy |
| Depth rating | 100m / 330ft |
| Dimensions (WxHxD) | 341x194x141 mm / 13.6x7.8x5.6inch |
| Weight | Approx. 2,700g / 94.5oz (Housing only) |

U/W Housing for Canon EOS 7D

MDX-7D

■ MDX-7D Housing (Black) (Housing only) [Product No. 06152](#)

Two Fiber-optic cable sockets

Simply by connecting the Fiber-Optic Cable (L-type) to the connector, the light of the digital camera's built-in flash is detected and connected to an external strobe. This is considerably less complicated than setting up an electrical connector that requires detailed knowledge. It also eliminates any risks involved when the connector is submerged in water.



The shutter lever can be operated in two ways – pressing from the top or pulling from the front for quick snap shorts – and offers a smooth halfway press for quickly locking the autofocus.



Controls almost all of the Canon EOS 7D essential functions underwater.

Uses a lightweight and durable aluminum body that can withstand even the most severe shooting environments

Suitable for taking both still images and movie

Unparalleled design provides easy access to the main dial and the quick control dial. The setting button is also situated close to the grip for quick access to the button.



TTL auto adjustment available when using an optional YS Converter/C

When using a YS Converter/C to enable the TTL auto adjustment, use a 5-pin Sync Cord/N to connect it to a genuine SEA&SEA strobe.



Accessories

YS Converter/C

[Product No. 50118](#)

This converter can be used to attach an external strobe to Canon digital SLR camera housings and allows for TTL adjustment.



Fiber-Optic Cable (L-type)

[Product No. 50107](#)

This fiber-optic cable resists bending and has improved light-conducting efficiency.



5-pin Sync Cord/N

[Product No. 17100](#)

