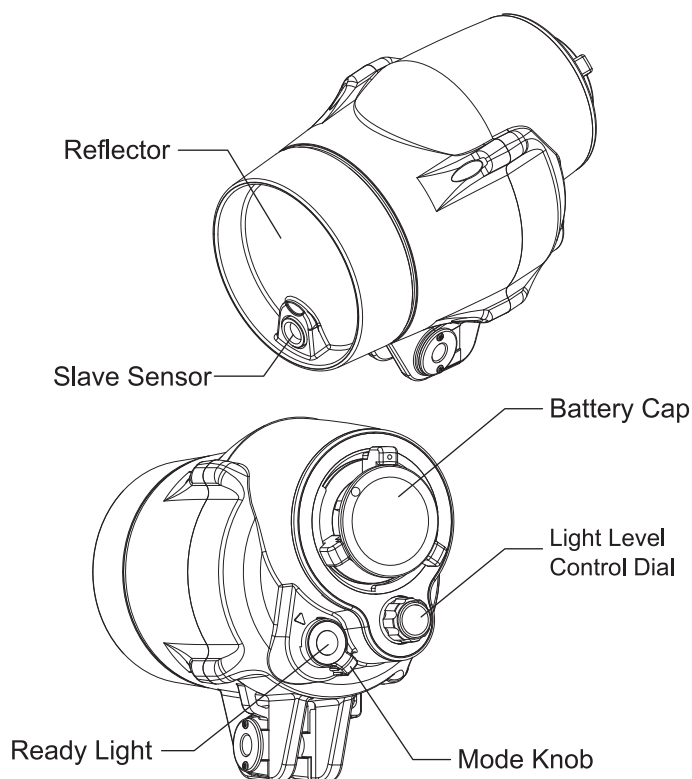


Instruction Manual

Thank you and congratulations on your purchase of SEA&SEA YS-27DX Strobe. For proper operation of all strobe functions and to maximize performance, please read this manual thoroughly before use. Retain for future reference.

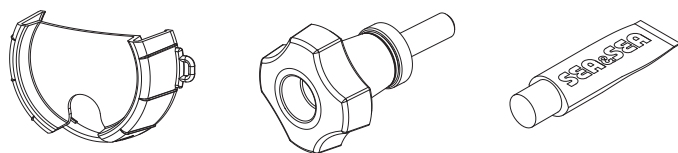
Identification of Parts



Checking the Accessories

Before using this product, check to make sure that all accessories are present.

- Diffuser
- Fixing Bolt
- Silicone Grease

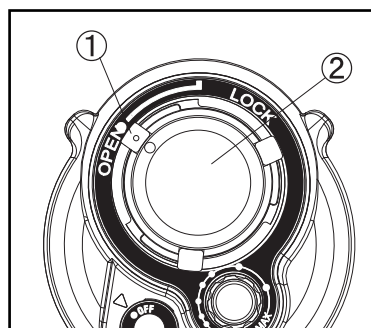


Battery Installation and Removal

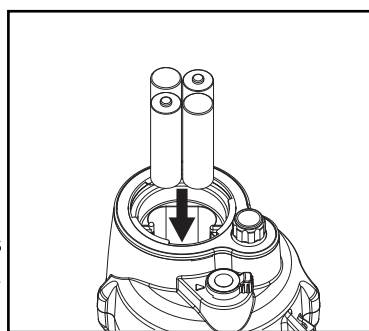
The YS-27DX is powered by four AA alkaline, Ni-MH, lithium, oxyride or nickel-cadmium batteries.

1. Make sure that the mode knob is in the OFF position.

2. To remove the battery cap, turn part ① counterclockwise to the OPEN position and pull the cover ② straight out.

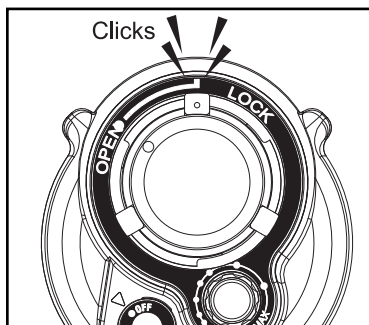


3. Insert four batteries with the polarity shown in the battery compartment.
4. Examine the O-ring for cuts or debris. Lubricate the O-ring lightly.
5. Fit the battery cap in place, aligning the "O" marks on parts ① and ② with the "O" marks at the OPEN position. Turn part ① to the LOCK position; you will hear it click into place.



CAUTION

- Never replace batteries with wet hands.
- Use extreme care not to allow water from your hair or wetsuit to drip into the battery compartment.
- Always replace with fresh batteries of the same kind, Never mix manufacturer's brands.



How to take pictures

This strobe is triggered by sensing the light from a built-in flash in a digital camera. The number of pre-flashes of a built-in flash differs among models and manufacturers, so check settings before shooting by conducting test flashes.

With some types of digital cameras, the exposure is adjusted with a first pre-flash and the picture is taken with the second flash. The strobe fires synchronising the second-flash by selecting switch only.

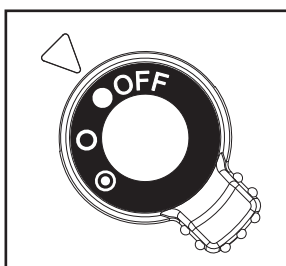
- ※ When you conduct test flashes and check settings, set the built-in flash of the digital camera to the forced-flash mode.
- ※ Release the red-eye-reduction function. (Set the red-eye-reduction function of the built-in flash of the camera, if provided, to the off position.)

Mode Knob

[OFF] Turns the power off. Set the mode knob to this position when you're not using the product.

[O] Set the mode knob to this position when you shoot with a digital camera that does not pre-flash.
 ※ The strobe fires on the first flash.

[●] Set the mode knob to this position when you shoot with a digital camera that pre-flashes.
 ※ The strobe fires after the pre-flash on the full second flash.

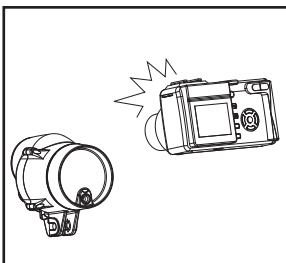


※ If you're not sure if your camera pre-flashes or not, start by setting the knob to the **[●]** position and triggering your camera flash. If the camera pre-flashes, the strobe will fire on the second full flash. If the camera doesn't pre-flash, the strobe won't fire at all.

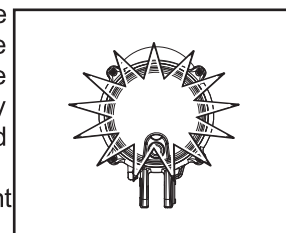
«To check the settings»

You can check the settings above using the LCD on the digital camera.

1. After a setting, point the camera at the front of the strobe and take a picture.
- ※ Keep at least 1 meter (3 feet) of distance from the strobe to the camera when taking the picture.



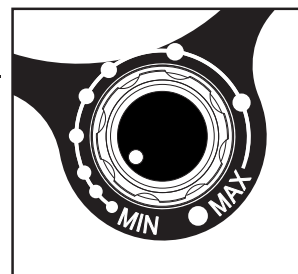
2. Look at the image captured by the camera (using replay mode on the camera). If you see a white flash in the strobe or an image that's completely white, then the strobe has fired and the setting is correct.



- A single digital camera may -in different modes- flash or not pre-flash. If you change the mode of the camera, check the strobe setting again for that mode.

Light Level Control Dial

Manual flash exposure can be adjusted in 9 increments with the light level control dial.

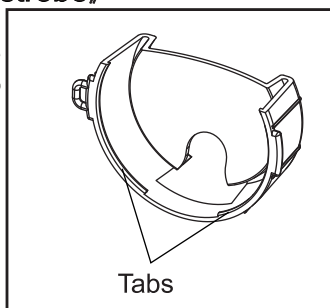


Diffuser

«Attaching the diffuser to the strobe»

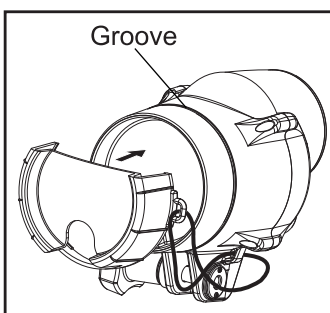
To attach the diffuser to the YS-27DX, fit and press it to the front of the strobe so that the tabs on the diffuser snap into the grooves on the strobe, as shown.

- Always make sure that the diffuser is properly attached before use. If not, it may fall off.
- Both the diffuser and the strobe have tether holes in them. Attach the tether to each of these holes.



«Detaching the diffuser from the strobe»

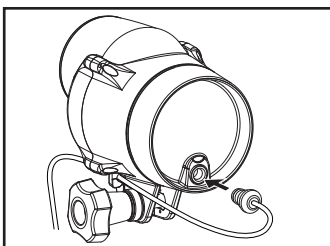
To detach the diffuser, grasp both side of the diffuser, then remove it from the groove of the strobe.



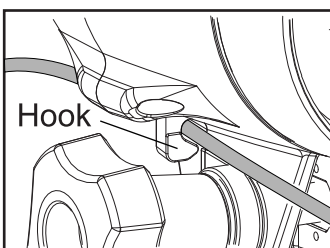
Fiber Optic Cable

The YS-27DX can be dedicated to various digital camera housings by means of the SEA&SEA fiber optic cable (sold separately).

- * Some housings are not compatible.
- * Use SEA&SEA Fiber Optic Cable for YS-25 (#16990) when the YS-27DX cannot make cordless synchronization with the camera's built-in flash.



1. Insert one end of the fiber optic cable into the slave sensor socket of the YS-27DX.
2. Secure the cable by the hook. Connect the other end of the cable to the housing. Refer to the instruction manual for the fiber optic cable for details.



CAUTION

- Read the instruction manual for the fiber optic cable before use.

Maintenance and Storage

1. After each use in salt water, make sure it's watertight, then soak it sufficiently in fresh water.
 - Insufficient soaking causes damage by salt to the product. Salty residue may be left on the product where it will crystallize as it evaporates. Crystallized salt is hard to dissolve and difficult to be removed once formed, and it will result in water leakage.
2. After rinsing, dry the product well with a soft dry cloth, then let the product dry in shade, out of direct sunlight.
 - Do not dry the product by heating (using a hair dryer, for example). Heating can deform and damage the product.
3. After using the product, maintain the O-ring before storing. Examine the O-rings before and after each dive. We recommend early exchange of the O-rings, at least once a year.
4. If you will not use the product for an extended period of time, store it away from high temperatures, high humidity, direct sunlight, or extreme cold.
5. Never use chemicals, cosmetics, any petroleum solvents such as paint thinner, or neutral detergent on the strobe. They may deform and damage the strobe.
6. Remove the batteries from the product before storing.
7. Every two years we recommend a complete overhaul of O-rings regardless of the frequency in use, for the best performance of the product.

Specifications

| | |
|--------------------------------|--|
| Controls and Functions: | Mode knob (OFF/O/●) Light level control dial: 9 steps |
| Indicators: | Ready light (Red LED light up when charging is complete) |
| Guide Number: | 20 (land, at full flash, ISO100/meters) |
| Beam Angle: | 105° × 84° (H × V) |
| Color temperature: | 5500K (5200K with Diffuser) |
| Battery Requirements: | 4 AA alkaline batteries: (1.5V × 4=6V) 4 AA Ni-MH batteries: (1.2V × 4=4.8V) 4 AA oxyride batteries: (1.5V × 4=6V) |
| Battery life: | Alkaline : Approx. 350 flashes Ni-MH : Approx (2700mA). 490 flashes Oxyride : Approx. 420 flashes |
| Recycle time: | Alkaline : Approx. 2.5 sec. Ni-MH : Approx (2700mA). 2 sec. Oxyride : Approx. 2 sec. |
| Depth Rating: | 60m (200ft) |
| Dimintions: | 122 × 87 × 135mm (W × H × D) |
| Weight: | 540g / 19oz. (without batteries) |
| Underwater weight: | -40g |
| Operating temperature: | 0°C~40°C |
| Construction: | Polycarbonate resin, ABS resin |
| Accessories: | Instruction manual, Diffuser, Fixing bolt, Silicone grease, O-ring maintenance manual |

※ Specifications and appearance are subject change without notice.
 ※ The performance values above may change depending on variables such as frequency of use, battery consumption, recharge level, and so on.
 ※ The above specifications are based on normal room temperature (25°C).

SEA&SEA PRODUCTS LTD.
 3-2-20 Saiwaicho, Kawaguchi-shi, Saitama,
 332-0016 Japan
 TEL. +81-48-256-2251
<http://www.seaandsea.co.jp>