

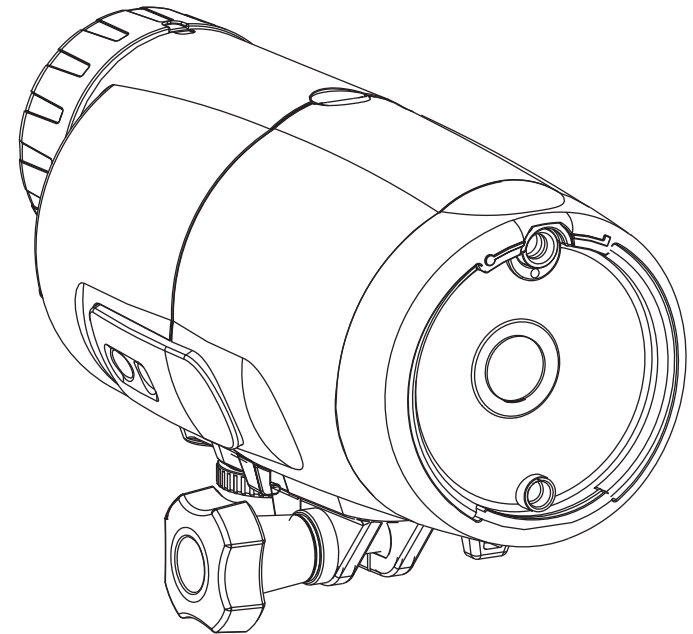
SEA&SEA



UNDERWATER STROBE

03108 YS-250PRO

Instruction Manual



SEA&SEA

SEA&SEA SUNPAK Co., Ltd.

3-2-20, Saiwai-cho, Kawaguchi-shi, Saitama, Japan 332-0016

TEL. +81-48-256-2251

World Customer Service Center

TEL. +81-48-255-8512

<http://www.seaandsea.jp>

0606-Z-01

Yellow Sub

YS-250PRO

Thank you for your purchase of SEA&SEA product. For proper operation of the product and safe handling, please read the following instructions carefully before use. This manual should be retained for future reference.

Table of Contents

Safety Precautions-----	2
Safety Precautions for Use of Battery -----	6
Identification of Parts -----	8
Accessories -----	9
Before Taking Photographs	
Battery Requirements -----	9
Battery Installation and Removal -----	9
Sync Cord Connection -----	10
Fiber-optic Cable Connection -----	12
Operation -----	13
TTL Lamp and READY Lamp -----	16
Over-pressure Relief Valve -----	17
Taking Photographs	
TTL Photography -----	17
Manual Photography -----	18
Calculation of Exposure Value -----	19
Diffuser -----	20
Attaching the Fixing Bolt -----	21
About the PASSED Label -----	21
Maintenance and Storage -----	22
FCC -----	23
Specifications -----	24

Safety Precautions

- For safe handling of the product, please read the following precautions carefully before use.

* Failure to heed the precautions listed below could result in serious consequences. To prevent injury or damage to yourself and/or others, please observe the precautions as they contain highly important information related to personal and product safety.

- ⚠ **DANGER** : Situations that involve a high risk of severe injury or death.
- ⚠ **WARNING** : Situations that could result in severe injury or death.
- ⚠ **CAUTION** : Situations that could result in property damage or personal injury.

⚠ DANGER

- Never attempt to disassemble, repair or alter the product yourself to prevent significant electrical hazard due to the high-voltage circuitry in the product. Do not heat the product or put it into a fire, this could result in explosion or fire. Unauthorized disassembling and/or modification could result in malfunction or flooding, and void product warranty. Take the product to a SEA&SEA authorized service center for repair or inspection.
- Never short-circuit the terminals of battery installed in the product, as it could result in battery leakage, heat generation, fire, explosion, or product malfunction.
- Move leaking battery away from fire or open flames immediately. The leaked fluid and its vapor are combustible.
- If the battery leakage contacts your skin or clothing, flush the affected area repeatedly with clean water. It may irritate your skin. Should it get into your eyes, immediately rinse them with plenty of water, avoid rubbing and seek medical advice.

⚠ WARNING

- Use only the battery approved for use in this product. Do not use other batteries, as it may emit gas and result in an explosion.

- Remove battery before transport or storage, or when you are not going to use the product for an extended period of time, to prevent unexpected activation.
- Pay particular attention to opening the battery cap to avoid injury. Heat from the battery may cause pressure buildup inside the battery compartment, and could result in cap explosion with unexpected force.
- Avoid water or foreign objects inside the product. Discontinue use and turn it off immediately should you notice flooding or leakage. Continuous use could result in complete damage to the product.
- Do not handle battery wet hands to prevent shock hazards.
- Do not use the product in the presence of flammable gas, as this could result in explosion or fire.
- Do not fire the strobe/light with the reflector touching a person or object to prevent heat generation. Touching the reflector immediately after firing could result in burns.
- Do not fire the strobe or illuminate the light towards a driver of a vehicle to avoid causing accidents.
- Do not operate the product while driving a vehicle. Inattention could result in accidents.
- For use on land, do not operate the product at precarious foothold. It may cause falling, injury or product damage.
- Do not leave the product on a slope or an unstable surface. It may be broken after falling or injure someone below it.
- Keep out of reach of children to prevent accidental ingestion. If swallowed, seek medical advice immediately.

CAUTION

- Read the instruction manual and observe proper precautions before use of this product.
- Should you notice smoke or an unusual smell coming from the product, turn it off and remove the battery immediately, taking care to avoid burns. Continued operation could result in injury. After removing the battery, take the product to a SEA&SEA authorized service center for inspection.
- Discontinue use and turn the product off immediately should you notice flooding or leakage.

- When the product is flooding, interior pressure may build up. Please be careful when opening the product as water may spurt out or the cap may open explosively and cause injuries.
- Do not open the chassis or battery cap in the vicinity of open flames.
- The product has been constructed with an airtight seal. When packing the product for airplane travel, do not seal-up the product to alleviate pressure build up due to atmospheric changes.
- Do not open the product in a wet or sandy environment. Protect the interior from moisture and debris in order to prevent malfunction or flooding.
- Keep away from strong magnetic fields. Do not use or store this product in the vicinity of equipment that generates strong electromagnetic radiation or magnetic fields. Strong static charges or the magnetic fields could cause malfunction, or affect the product's internal circuitry.
- Before using the product in an airplane or a hospital, check if it is allowed. Electromagnetic waves emitted by the product may interfere with the measuring instruments or medical equipment.
- Do not cover or wrap the product with a cloth. This could result in deformation of the product or in fire.
- Using the strobe close to your subject's eyes could cause temporary visual impairment. Particular care should be observed if photographing infants, the strobe should be no less than one meter (3 feet) from the subject.
- Be careful when touching the product immediately after firing repeatedly or lighting for a long time. The product may get hot enough to burn you.
- Avoid strong shocks/impacts or excess stress to prevent malfunction, damage or breakdown. Make sure that the product has been securely mounted to other products in order to prevent injury, fall or missing.
- Do not carry the camera or housing by holding the accessories such as arm, cable, strobe, etc. Heavy components may fall and cause damage or injury.
- Do not rest heavy weight on the product. It might deform the outer casing, damage internal parts, make the waterproofing fail, or result in fire or electric shock.

- Rinse the product with fresh water, after underwater use. Ensure that the product is waterproofed before rinsing. Refer to [Maintenance and Storage] for details.
- Make sure that the connectors have been secured with the connector caps before rinsing the product with fresh water, after removal from other products.
- Never use chemicals, cosmetics, any petroleum solvents such as paint thinner, or neutral detergent on the product. They may deform and damage the product.
- Do not leave the product in places with hot temperatures such as inside of a car or in a car trunk in summer. The heat may deform plastic parts of the product, damaging internal parts and resulting in potential fire or electric shock. If the product is sealed tight in hot conditions, heated air expanding inside the product may deform the casing and ruin the waterproofing.
- Do not store the product in wet or high humidity place, to avoid mold, rust, corrosion or malfunction.
- Do not store the product with naphthalene or camphor mothballs, or in locations such as a laboratory where chemicals are used. This environment can cause mold, rust, corrosion or malfunction.
- If you do not use the product for an extended period of time, periodic maintenance will keep internal electronic parts from deterioration. Once a month, install battery and fire a test flash/light on. Operate all other switches as you would in normal operation. Turn the power off, then remove battery while the READY lamp (red) is on for the strobe.
- SEA&SEA SUNPAK Co., Ltd. assumes no liability for compensation of loss of captured images or expenses caused by loss of images, even if you are unable to shoot due to a product defect or malfunction.
- SEA&SEA SUNPAK Co., Ltd. will not be responsible for the replacement or compensation for cameras, lenses or those accessories damaged due to your invalid operation.
- Carefully observe the O-ring maintenance manual for the handling of O-rings before use.
- SEA&SEA SUNPAK Co., Ltd. assumes no liability for errors or discrepancies in this manual.
- Specifications and appearance are subject to change without notice.

【Safety Precautions for Use of Battery】

DANGER

- Never expose the battery to flame or fire, or to excessive heat.
- Never attempt to disassemble, alter or directly solder the battery. There are no user-serviceable parts. Tampering with battery may expose you to dangerous voltage, battery acid, or electrical shock.
- Never short-circuit the terminals of a battery, as it could result in battery leakage, heat generation, fire, or explosion. Avoid contact with all metal objects during transporting and storage.
- When recharging batteries such as nickel metal-hydride or lithiumion batteries, use a charger designed specifically for them and follow the recharging instructions. Recharging in an inappropriate charger may cause battery leakage, overheating, and explosion.
- Move leaking batteries away from fire or open flames immediately. The leaked fluid and its vapor are combustible.
- If the battery leakage contacts your skin or clothing, flush the affected area repeatedly with clean water. It may irritate your skin. Should it get into your eyes, immediately rinse them with plenty of water, avoid rubbing and seek medical advice.
- Never attempt to insert the battery upside down or backward, as it could result in battery leakage or explosion. Always confirm the direction of plus and minus before installation.
- Never connect a battery directly to a plug outlet or car cigarette lighter.

WARNING

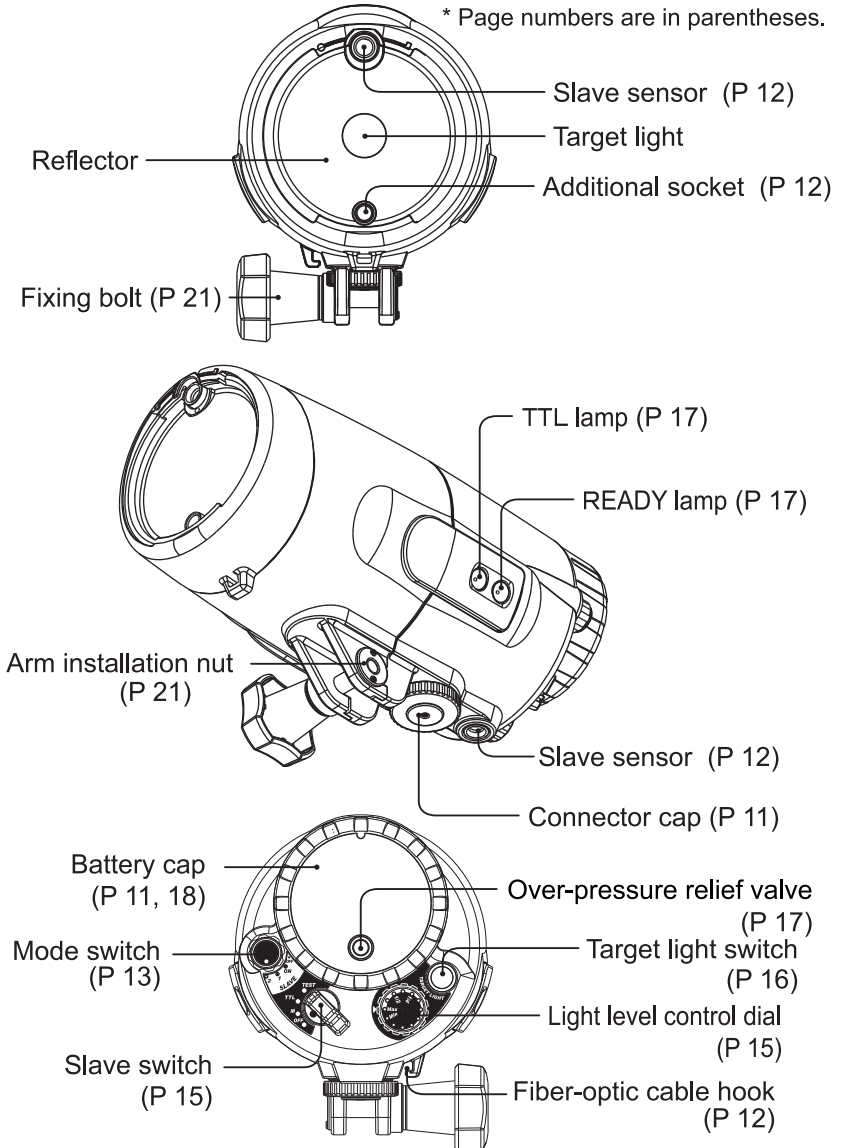
- Keep dry. The battery is not waterproof, and may malfunction if immersed in water or exposed to high levels of humidity. Rusting of the internal mechanism can cause irreparable damage.
- Do not remove and/or damage the case of a battery. It may cause battery leakage, overheating or explosion.
- Do not charge a rechargeable battery beyond the specified charging time, it may cause battery leakage, fire hazard or explosion.

- Never use batteries should you notice any changes such as leakage, discoloration or deformation. When you notice the situation as abnormal, discontinue use immediately and take the product to a SEA&SEA authorized service center for inspection.
- Keep out of reach of children to prevent accidental ingestion. If swallowed, seek medical advice immediately.
- Do not leave or use batteries in an extreme hot environment. This may cause battery leakage, overheating or battery performance deterioration.

⚠ CAUTION

- Avoid strong shocks/impacts or excess stress to battery.
- For handling and recharging of a battery, refer to the instruction manual of the battery/dedicated charger.
- Do not use or discharge the battery at ambient temperatures below 0°C (32°F) or above 50°C (122°F).
- During recharging, the temperature should be in the vicinity from 0°C to 40°C (32°F to 104°F).
- Always recharge the rechargeable battery before use after an extended time of storage.
- Do not recharge battery in a cold environment below 0°C (32°F). Severe cold may cause battery leakage, deterioration in performance, or shortened life.
- Dirt on the battery terminals can prevent the product from functioning. Should the battery terminals become dirty, wipe them with a clean, dry cloth before use.
- Turn the equipment off after use. Remove battery from the equipment when not in use. Store in dry area with temperatures ranging from 0°C to 30°C (32°F to 86°F)
- Used rechargeable batteries are valuable resource. Please recycle used rechargeable batteries in accordance with local regulations.

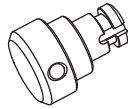
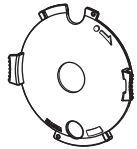
Identification of Parts



Accessories

Before using this product, check to make sure that all accessories are present.

- Diffuser
- Silicon grease
- Slave sensor cap



- O-ring maintenance manual

Before Taking Photographs

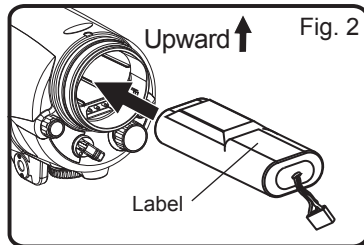
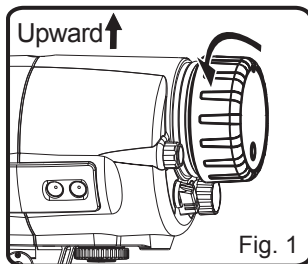
Battery Requirements

This product can only be powered by the SEA&SEA battery for YS-250PRO (54102). Do not use other batteries, as it may emit gas and result in an explosion.

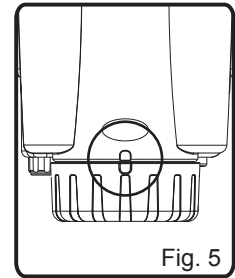
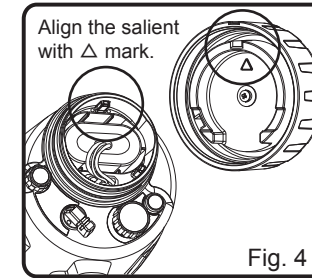
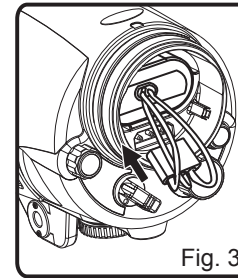
Battery Installation and Removal

1. Turn the battery cap counterclockwise and remove. (Fig. 1)
2. Install the battery in the product with the label facing upward as shown in the Fig. 2.
3. Fully insert the battery connector into the product as shown in the Fig. 3.
4. Align the Δ mark inside the battery cap with the salient on the battery compartment (Fig. 4). Turn the cap clockwise to close.

* Be careful not to tangle the battery connector cords and string.



5. After closing the battery cap completely, turn back the cap to align the concave marks on the cap and the product top (Fig. 5).



⚠ CAUTION

- Never install/remove the battery with wet hands. Pay particular attention not to allow water from your hair or wetsuit to drip into the battery compartment, in order to prevent an electrical hazard, mold, malfunction or flooding.

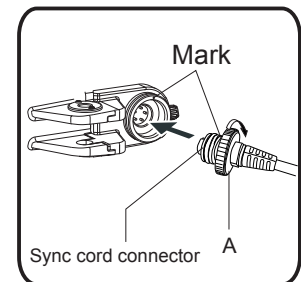
Sync Cord Connection

(Photography with an underwater camera/SLR housing)

When you use this strobe with an underwater camera/SLR housing equipped with strobe bulkhead connectors, connect the strobe to the camera/housing with a sync cord (option).

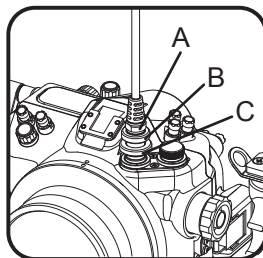
《How to connect the sync cord with the strobe》

1. Examine O-ring on sync cord connector for cuts or debris. Lubricate O-ring lightly.
2. Align the salient of the strobe bulkhead connector and the notch on the sync cord connector. Insert the sync cord connector straight into the strobe bulkhead connector and push in until the O-ring is seated. Rotate the threaded retaining ring (part A) clockwise until it is secure.
3. To disconnect, turn the threaded retaining ring (part A) counterclockwise, then pull the connector straight out. Never pull, twist or bend the cord for disconnection.



《How to connect the sync cord with an underwater camera/SLR housing》

1. Examine O-ring on sync cord connector for cuts or debris. Lubricate O-ring lightly.
2. Align the notch in the sync cord connector with the index mark on the camera/housing's bulkhead connector. Insert the sync cord connector into the bulkhead connector. Push the cord in until the O-ring is seated.
3. Rotate part (B) clockwise till secure.
4. Turn part (C) till it securely holds the camera to stay.
5. To disconnect, loosen and release the connector end by reversing steps 1-4 above. Pull the connector straight out. Never pull, twist or bend the cord for disconnection.



⚠ CAUTION

- Do not touch the connector's contact pins with fingers. Do not apply silicone grease to the connector pins. Silicone grease will impair the electrical connection. If contaminated accidentally, clean the pins by a cotton swab moistened with alcohol.
- Whenever a sync cord is not connected to a camera, housing and/or strobe, protect the ends of the cord and bulkhead connectors with their plastic protective caps. (Fig. 6)
- Before rinsing a detached sync cord and/or strobe, be sure to put the connector caps on the exposed ends.
- Refer to the instruction manual for the sync cord before use.
- Be sure to use two YS-250PRO strobes when using two strobes connected with sync cords. Combination with other strobes will generate unbalanced light.

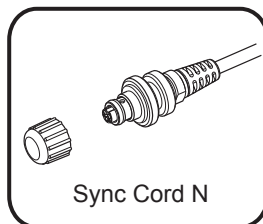


Fig. 6

Fiber-optic Cable Connection

(Photography with a compact digital camera)

This strobe is triggered by sensing the light from a main external strobe or a built-in flash. Use a SEA&SEA fiber-optic cable (option) when using this strobe with a compact digital camera or as a sub (slave) strobe. Otherwise, the strobe may not synchronize with the main strobe.

* Some housings are not compatible with a SEA&SEA fiber-optic cable.

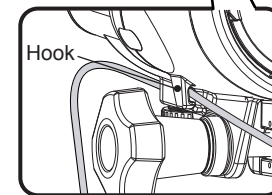
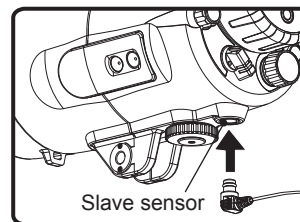
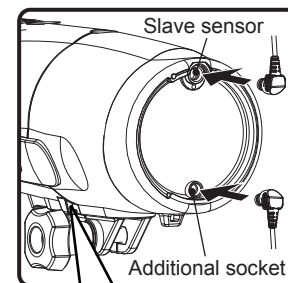
《How to connect the fiber-optic cable with the strobe》

【When using this strobe as a sub (slave) strobe】

1. Insert one end of the fiber-optic cable into the slave sensor socket and connect to the main strobe.

* This product has two slave sensors.

2. Secure the cable by the hook.



【When using this strobe as a main strobe】

1. Insert one end of the fiber-optic cable into the additional socket and connect to the slave sensor of another sub (slave) strobe.

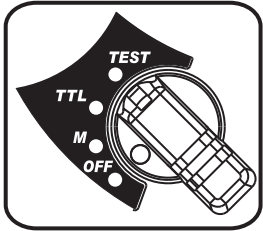
⚠ CAUTION

- This strobe is triggered by sensing the reflected light from the subject. If the light is too weak to trigger the strobe, strobe will not fire.
- This strobe may be triggered when other strobes fire around you.

Operation

This strobe has four controls: the Mode switch, the Slave switch, the Target light switch and the Light level control dial.

《Mode switch》



[OFF] Turns the power off. Set the mode switch to this position when you are not using the product.

[M] For manual photography. Set the mode switch to this position to adjust the amount of light using the light level control dial (P. 16).

[TTL] For TTL photography. Set the mode switch to this position to connect the product to an underwater camera/SLR housing with a sync cord, and activate the strobe for TTL flash output. Set the slave switch (P. 13) to **[OFF]**.

* TTL photography is the automatic light control by the strobe based on the camera's photometric data of the correct amount of light for the proper exposure for the subject. You can get the proper exposure accurately even if the distance from the subject has changed.

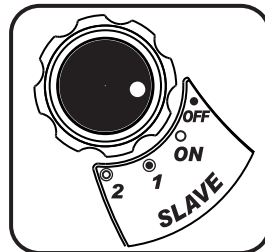
* SEA&SEA TTL converter (option) is required for TTL photography when using the product with a digital SLR camera housing that is not equipped with a built-in converter.

[TEST] Emit a test flash (one flash only) at full power.

* Do not look directly at the reflector of the product or emit the flash towards other people. Doing so may dazzle others and cause accidents.

《Slave switch》

[OFF] Cancels the slave function. Set the slave switch to this position to connect the product to an underwater camera/SLR housing with a sync cord.



[ON] Activates the slave function (synchronizes) with a main strobe that does not pre-flash. Set the mode switch (P. 13) to **[M]**.

[1] Activates the slave function (synchronizes) with a main strobe that pre-flashes one time. Set the mode switch (P. 13) to **[M]**.

* Set the slave switch to this position to use the product as a sub (slave) strobe of another (main) strobe that is connected to a SEA&SEA TTL converter and set to TTL mode.

[2] Activates the slave function (synchronizes) with a main strobe that pre-flashes twice. Set the mode switch (P. 13) to **[M]**.

⚠ CAUTION

● When you shoot with a compact digital camera, set the built-in flash of the camera to the forced-flash mode. The product will not fire unless the built-in flash of the camera will fire.

* Refer to the instruction manual for the digital camera for the setting of the forced-flash mode.

● This product is not compatible with compact digital cameras that pre-flashes more than three times.

● Set the slave switch to **[OFF]** to use the product connecting to an underwater camera/SLR housing with a sync cord. The product does not fire when the slave switch is set to one of **[ON]**, **[1]**, or **[2]** positions.

● Set the slave switch to one of **[ON]**, **[1]**, or **[2]** positions to use the product as a sub (slave) strobe connecting to another main strobe with a fiber-optic cable.

《Strobe Setting Guide》

Equipment	Manual photography			TTL photography			Connection
	Mode switch	Slave switch	Light level control dial	Mode switch	Slave switch	Light level control dial	
underwater camera / SLR housing	M	OFF	12-step	TTL	OFF	/	sync cord
main strobe that does not pre-flash	M	ON	12-step	/	/	/	fiber-optic cable
main strobe that pre-flashes one time *	M	1	12-step	/	/	/	fiber-optic cable
main strobe that pre-flashes twice	M	2	12-step	/	/	/	fiber-optic cable

* Including main strobes connected to a SEA&SEA TTL converter and set to TTL mode.

《To check the settings of the slave switch》

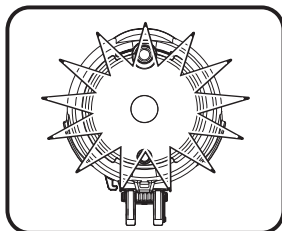
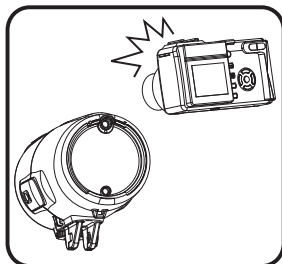
You can check the settings of the slave switch by shooting the strobe with the digital camera.

* The number of pre-flashes of a built-in flash of a digital camera differs among models and manufacturers. Check settings before shooting according to the following procedures.

1. After setting of the slave switch as described, point the digital camera at the front of the strobe and take a picture.

* Keep at least 1 meter (3 feet) of distance between the the strobe and the digital camera when taking the picture.

* Set the mode switch (P. 13) to **【M】** position and the slave switch to one of **【ON】**, **【1】**, or **【2】** positions, and the built-in flash of the digital camera must flash.



2. Look at the image captured by the camera (using replay mode on the camera). If you see a white flash in the strobe or an image that is completely white, then the strobe has fired and the setting is correct.

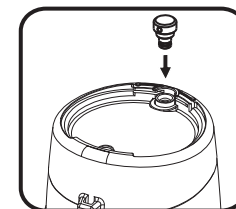
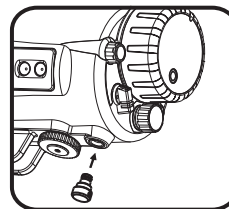
● A single digital camera may—in different shooting modes—pre-flash or not pre-flash. If you change the shooting mode of the camera, check the strobe setting again for that mode.

● If the distance between the camera and the strobe is too great or underwater conditions are too murky, the strobe may not detect the camera's built-in flash and may not fire. In these conditions we recommend using a fiber-optic cable (option) to connect the strobe and the camera's built-in flash.

《Slave sensor cap》

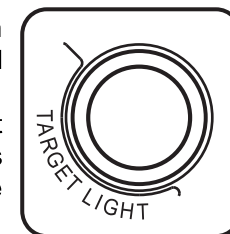
This product is equipped with two slave sensors. To avoid unexpected emissions, block the slave sensor that is not subjected to light with the slave sensor cap.

* The slave sensor cap has a tether hole in it. Pass a tether through the hole to prevent losing the cap.



《Target light switch》

Push the switch to turn on the target light. Push again to turn off the light. In the case of Sync cord connection, the light turns off when the strobe fires, and turns on again after the emission. The target light continues to be illuminated until the light is turned off by pushing the switch or turning off the strobe by setting the mode switch to **【OFF】**.

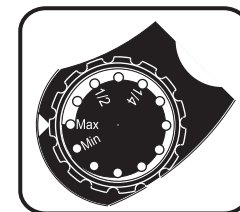


* In the case of Fiber-optic cable connection such as when using this strobe as a sub (slave) strobe, the target light does not turn off when the strobe fires and continues to be illuminated.

* Do not leave the target light on for a long time during shooting to prevent the battery drain.

《Light level control dial》

The strobe light amount can be adjusted in 12 increments with the light level control dial. The mode switch must be set to **【M】**.



⚠ CAUTION

● When the mode switch is set to **【TTL】** the amount of light cannot be adjusted with the light level control dial. In this case, it is automatically controlled by the camera's TTL system.

TTL Lamp and READY Lamp

[TTL lamp]

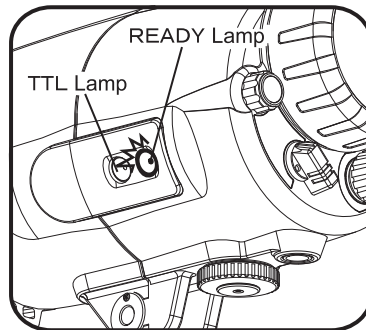
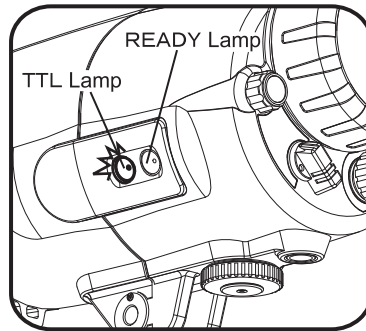
TTL lamps illuminate green for approx. 3 seconds with a beep sound after the emission with TTL flash output.

TTL lamps do not illuminate and no beep sounds after emission at full power without TTL flash output.

If the subject is out of the proper strobe-to-subject range, check the distance and the aperture (referring to the 「Calculation of the Exposure Value」 on the page 19) again, and switch to Manual photography.

[READY Lamp]

READY lamps illuminate red with a beep sound when the strobe is ready to fire.



Over-pressure Relief Valve

When gas generates inside of the battery cap, the over-pressure relief valve automatically vents the gas to reduce excess pressure. If you notice bubbles coming out through the valve during use, it may signal the presence of gas. Please proceed as follows.

1. Turn off the power and discontinue use.
2. Ascend to the surface at a safe rate. Water is much less likely to flood the product even if bubbles are coming out.
3. Contact a SEA&SEA authorized service center immediately for maintenance.

Taking Photographs

TTL Photography

● TTL photography is available only when the product is connected to an underwater camera/SLR housing with a sync cord. Set the mode switch to [TTL] and the slave switch to [OFF]. TTL flash output is activated, and the amount of light is controlled automatically. An optional TTL converter (exclusively for YS-250PRO) is required for TTL photography when using the product with a digital SLR camera housing.

- * The amount of light cannot be adjusted with the light level control dial while TTL flash output is activated.
- * Connect the product to SEA&SEA TTL converter with a sync cord (option). Refer to the instruction manual for the TTL converter and 「Sync Cord Connection」 on the page 10 for connection.
- * The minimum strobe-to-subject distance for TTL photography is approx. 30cm / 12inch. (This may change depending on the shooting condition.)

Manual Photography

When the mode switch is set to [M], the strobe light amount can be adjusted in 12 increments with the light level control dial.

- When the product is connected to an underwater camera/SLR housing with a sync cord, set the mode switch to [M] and the slave switch to [OFF].
- When the product is connected to another main strobe with a fiber-optic cable, set the mode switch to [M] and the slave switch to one of [ON], [1], or [2] positions.

* Refer to page 14 for details of the slave switch setting.

《NOTE: Continuous emission》

- To prevent heat generation and deterioration of the reflector, suspend continuous emission at 15 times or less, and let the strobe cool off for more than 10 minutes.
- If the strobe is left in a hot environment or the flash is emitted continuously, condenser charging may stop as the heat generated by the components may activate the fail-safe system. It is not a malfunction. If the strobe stops charging, turn off the power and keep the strobe turned off for more than 10 minutes.

Calculation of Exposure Value

Aperture = GN/Distance

* Film speed ISO100

Since more light will be absorbed underwater, the guide number should be treated as 1/2 of that on land.

Guide number for multi-strobe lighting will be obtained by the following formula;

$$\text{Multi-strobe GN} = \sqrt{\text{GN}^2 + \text{GN}^2 + \dots}$$

TTL Operating Range (reference only)

Aperture	ISO					DISTANCE	
	400	200	100	50	25	m	ft
	5.6	4	2.8			0.7~3.9	2.3~13
8	5.6	4	2.8		0.5~2.7	1.6~9	
11	8	5.6	4	2.8	0.3~1.9	1~6.3	
16	11	8	5.6	4	0.3~1.3	1~4.3	
22	16	11	8	5.6	0.3~1	1~3.3	
32	22	16	11	8	0.3~0.6	1~2	
	32	22	16	11	0.3~0.5	1~1.6	
		32	22	16	0.3~0.5	1~1.6	

UNDERWATER EXPOSURE TABLE

* You may have to further adjust from the above reference table depending on the reflectivity of the subject, the underwater conditions, visibility etc.

Diffuser

Attaching

Align the ○ mark (A) on the diffuser and the ○ mark (B) on the reflector of the strobe.

Lightly push and fit the diffuser in the strobe reflector, then turn the diffuser in the direction of the arrow (C) until stops. (Fig. 7)

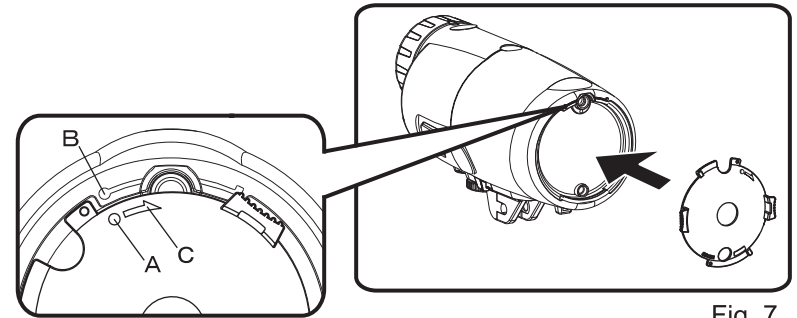


Fig. 7

CAUTION

● Always make sure that the diffuser is properly attached before use. If not properly attached, it may fall off.

* Both the diffuser and the strobe have tether holes in them. Attach the diffuser tether to each of these holes. (Fig. 8)

Detaching

To detach the diffuser, turn it in the reverse direction of the arrow (C).

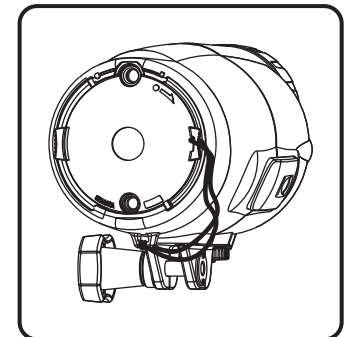


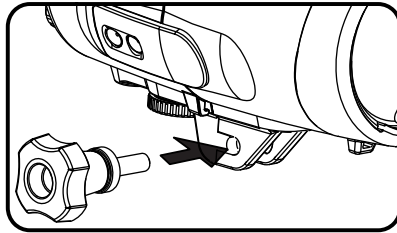
Fig. 8

Attaching the Fixing Bolt

⚠ CAUTION

To mount the strobe to an arm, use the fixing bolt (included in this product package).

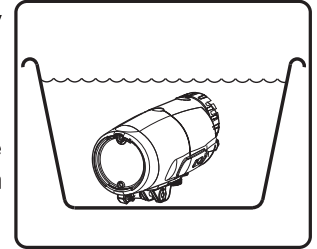
Insert the bolt through the non-threaded side, as shown in the figure.



Maintenance and Storage

⚠ CAUTION

- Never use chemicals, cosmetics, any petroleum solvents such as paint thinner, or neutral detergent on the product. They may deform and damage the product.
- After each use in salt water, make sure it's watertight, then soak it sufficiently in fresh water.
- Insufficient soaking causes damage by salt to the product. Salty residue may be left on the product where it will crystallize as it evaporates. Crystallized salt is hard to dissolve and difficult to be removed once formed, and it will result in water leakage.
- After rinsing, dry the product well with a soft dry cloth, then let the product dry in the shade, out of direct sunlight.
- Do not dry the product by heating (using a hair dryer, for example). Heating can deform and damage the product.
- If you will not use the product for an extended period of time, store it away from high temperatures, high humidity, direct sunlight, or extreme cold.
- Do not store the product with naphthalene or camphor mothballs, or in locations such as a laboratory where chemicals are used. This environment can cause mold, rust, corrosion or malfunction.
- Remove battery from the product before storing.
- After using the product, maintain the O-rings before storing. Examine the O-rings before and after each dive. We recommend early exchange of the O-rings, at least once a year.
- Every two years we recommend a complete overhaul of O-rings regardless of the frequency in use, for the best performance of the product.
- If you do not use the product for an extended period of time, periodic maintenance will keep internal electronic parts from deterioration. Once a month, install battery and fire a test flash/light on. Operate all other switches as you would in normal operation. Turn the power off, then remove battery while the READY lamp (red) is on for the strobe.



About the PASSED Label

The Pressure Test Passed label on a product indicates that the product has passed the SEA&SEA pressure test and is waterproof at depth.



FCC



This device complies with Part 15 of the FCC Rules. Operation is subject to the following two conditions: (1) this device may not cause harmful interference, (2) this device must accept any interference received, including interference that cause undesired operation.

Specifications

【Controls and functions】	Mode Switch(OFF / M / TTL / TEST) Slave Switch Target Light Switch Light Level Control Dial
【Indicator】	TTL lamp: Illuminates in green for approx. 3 seconds after firing with TTL flash output. READY lamp: Illuminates in red when the strobe is ready to fire.
【Guide number】	32 (land, at full flash, ISO100/meters)
【Beam angle】	105° x 105° (with diffuser)
【Color temperature】	5600°K (land, at full flash) 5200°K (with diffuser)
【Battery life】	Approx. 200 flashes (at full flash, target light off)
【Recycle time】	Approx. 1.8 sec.
【Battery requirements】	Battery for YS-250PRO (54102)
【Depth rating】	60m / 200ft
【Dimensions】	107x130x223mm / 4.3x5.2x9inch (WxHxD)
【Weight】	1,780g / 62.3oz (incl. batteries)
【Weight underwater】	-80g / -2.8oz (incl. batteries)
【Operating temperature】	0°C~40°C / 32°K~104°K
【Construction】	Polycarbonate resin, ABS resin

- * Specifications and appearance are subject to change without notice.
- * The performance values above may change depending on variables such as frequency of use, battery consumption, recharge level, and so on.
- * The above specifications are based on normal room temperature (25°C / 77°F).