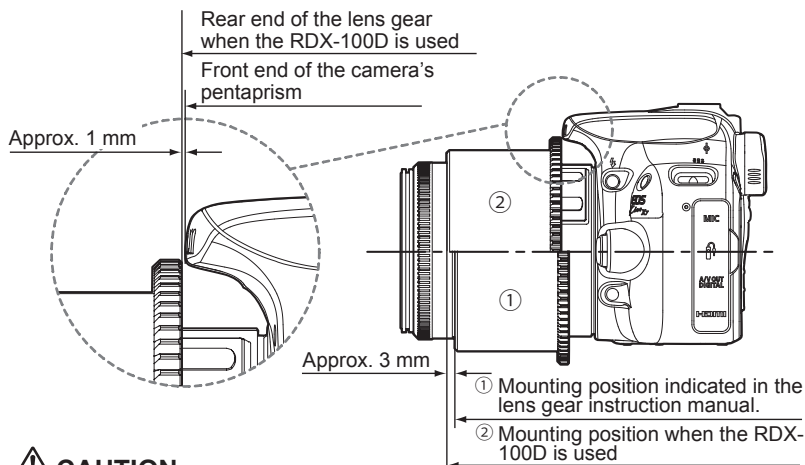


## When using the Lens gear

Focusing and zooming of the camera (lens) can be controlled using the focus/zoom dials of this product and an applicable lens gear.



### **⚠ CAUTION**

- When the RDX-100D is used, the lens gear mounting position is different from other underwater SLR cases manufactured by SEA & SEA.
- To use the RDX-100D and an applicable lens gear, the lens gear should be mounted in a position 3 mm closer to the lens front from the mounting position indicated in the instruction manual provided with the lens gear as shown in the right illustration above.
- If the lens gear is not mounted correctly, malfunction of the product or damage to the lens and/or camera may result.
- If the lens gear is mounted incorrectly, for example with a tilt with respect to the lens, the lens focusing/zooming could become impossible.

## **Mounting lens gear on the RDX-100D**

An applicable lens gear should be mounted on the lens in the stand-alone condition detached from the camera. Read the instruction manual for the lens gear and mount the lens gear in a position 3 mm closer to the lens front from the mounting position indicated in the instruction manual as shown in the right illustration above.

- Make sure that the lens gear is not tilted with respect to the lens.
- After attaching the lens with the lens gear to the camera, make sure that there is a clearance of about 1 mm between the rear end of the lens gear and the front end of the pentaprism of the camera as shown in the left illustration above and that the lens gear does not contact the camera when it is rotated.
- After installation in the underwater case, be sure to turn the focus/zoom dials of the case to make sure that the lens focusing/zooming can be controlled smoothly.