

Thank you for purchasing SEA&SEA products. Please read this instruction manual carefully prior to using this product. Only with a thorough understanding of this manual's content will you be able to use the products correctly. After reading the manual, please be sure to keep it in a place where you can easily come back to it at any time.

Note:

The appearance of color evenness or weld lines on the external body of the product is normal and will not affect its performance.

Safety Precautions

For safe handling of the product, please read the following precautions carefully before use.

Failure to heed the precautions listed below could result in serious consequences. To prevent injury or damage to yourself and/or others, please observe the precautions as they contain highly important information related to personal and product safety.

CAUTION Situations that could result in property damage or personal injury.

CAUTION

- Always make sure that the camera, strobe, light and accessories are securely mounted to prevent them from falling off, becoming lost, causing personal injury or equipment malfunction.
- Rinse the product with fresh water, after underwater use. Refer to [Maintenance and Storage] for details.
- When in use, check the Clamp lever or screws, and tighten them when they loosen.
- Do not assemble the arm or other underwater photography equipment in sandy or dusty environments.
- Avoid strong shocks/impacts or excess stress to prevent malfunction, damage or breakdown. Make sure that the product has been securely mounted to other products in order to prevent injury, fall or missing.
- Do not leave the product in places with hot temperatures such as inside of a car or in a car trunk in summer.
- Do not store the product in wet or high humidity place, to avoid mold, rust, corrosion or malfunction.
- SEA&SEA SUNPAK Co., Ltd. will not be responsible for the replacement or compensation for cameras, lenses or those accessories damaged due to your invalid operation.
- SEA&SEA SUNPAK Co., Ltd. assumes no liability for compensation of loss of captured images or expenses caused by loss of images, even if you are unable to shoot due to a product defect or malfunction.
- SEA&SEA SUNPAK Co., Ltd. assumes no liability for errors or discrepancies in this manual.

Maintenance and Storage

- Never use chemicals, cosmetics, any petroleum solvents such as paint thinner, or neutral detergent on the product. They may deform and damage the product.
- After each use in salt water, soak it sufficiently in fresh water.
- Insufficient soaking causes damage by salt to the product. Salty residue may be left on the product where it will crystallize as it evaporates. Crystallized salt is hard to dissolve and difficult to be removed once formed.
- After rinsing, dry the product well with a soft dry cloth, then let the product dry in the shade, out of direct sunlight.
- Do not dry the product by heating (using a hair dryer, for example). Heating can deform and damage the product.
- If you will not use the product for an extended period of time, store it away from high temperatures, high humidity, direct sunlight, or extreme cold.
- Do not store the product with naphthalene or camphor mothballs, or in locations such as a laboratory where chemicals are used. This environment can cause mold, rust, corrosion or malfunction.
- Store the system after use with each component disjoined.
- Every two years we recommend a complete overhaul of O-rings regardless of the frequency in use, for the best performance of the product.

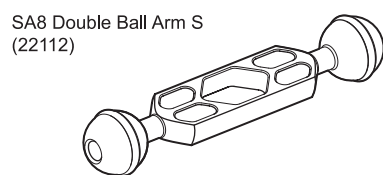
Components

The components described in this manual are sold separately, and can be used in various combinations. Please choose the components to suit your shooting style.

* The specifications and appearance are subject to change without notice.

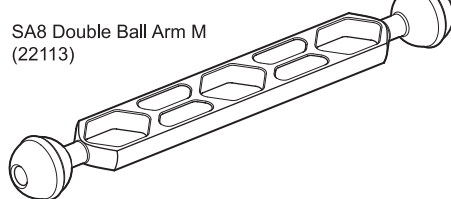
SA8 Double Ball Arm

Arms to be jointed to the head adapter and base adapter with joints.

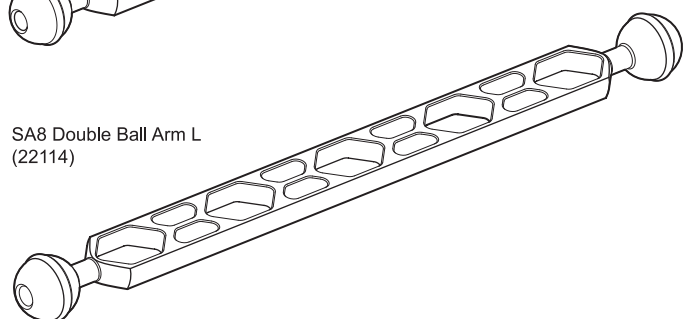


Construction (common): Corrosion-resistant aluminium alloy (anodized finish), rubber

Size : S (22112):142.7mm
M (22113):222.7mm
L (22114):322.7mm
Weight : S (22112):63.3g
M (22113):83.8g
L (22114):112.9g

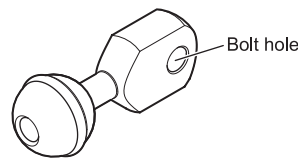


SA8 Double Ball Arm L (22114)



SA8 Strobe Head S (22115)

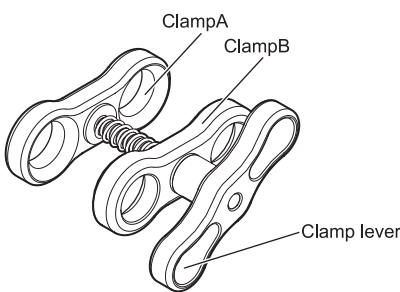
Head adapter to attach a strobe or light.



Construction : Corrosion-resistant aluminium alloy (anodized finish), rubber
Size : 68.3mm / 2.73inch
Weight : 42.6g / 1.49oz

SA8 Ball Clamp (22116)

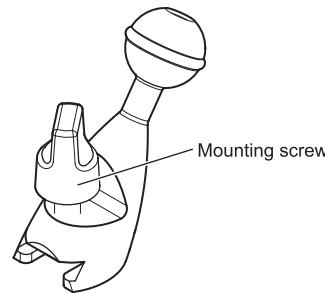
Used to joint components together.



Construction : Corrosion-resistant aluminium alloy (anodized finish), Stainless steel, Brass
Size : 65mm / 2.6inch
Weight : 65.7g / 2.3oz

SA8 Slide Ball Base (22117)

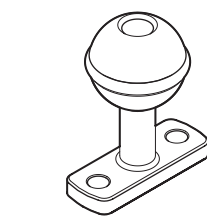
Base adapter to mount to the bracket shoe on a SEA&SEA housing grip.



Construction : Corrosion-resistant aluminium alloy (anodized finish), rubber, Plastic
Size : 90.5mm / 3.62inch
Weight : 82.1g / 2.87oz

SA8 Fixed Ball Base (22119)

Base adapter to mount on the top of a SEA&SEA housing grip.

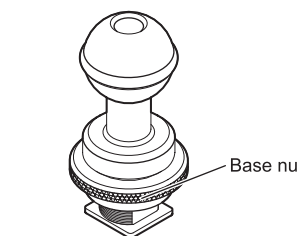


Construction : Corrosion-resistant aluminium alloy (anodized finish), rubber
Size : 46.3mm / 1.85inch
Weight : 38.7g / 1.35oz
Accessory : Hexagon Wrench
Cap bolt (S) x2
Cap bolt (L) x2
Washer x2

* Please use cap bolt (S) when mounting to a SA8 Camera Tray Adapter (22123).

SA8 Ball Base for Accessory Shoe (22120)

Base adapter to mount to the accessory shoe on SEA&SEA camera/video housings.



Construction : Corrosion-resistant aluminium alloy (anodized finish), rubber
Size : 62.9mm / 2.51inch
Weight : 56.9g / 1.99oz

How to use

Mounting to Camera/Video Housing

The Sea Arm 8 system can be mounted to SEA&SEA housings in various combinations of the components.

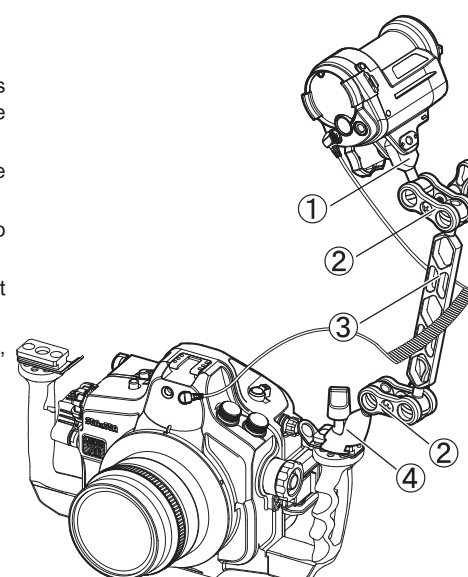
Please choose the components in accordance with your equipment/shooting style. Assembling the Sea Arm 8 system before mounting is suggested.

System example

Mounted to a digital SLR housing

- 1 : Strobe Head S
- 2 : Ball Clamp (x2)
- 3 : Double Ball Arm M
- 4 : Slide Ball Base

- The maximum weight that can be mounted to this product is approx.1780g/62.3oz (equivalent to the weight of SEA&SEA YS-250PRO strobe).
- Be sure to release the rigidity of the clamps before adjusting the angle of the jointed components.
- Do not tighten up the clamps but give flexibility to the joints when not shooting.
- SEA&SEA Lens Caddy for DX-1G (60104) cannot be attached to the Sea Arm 8 system.
- Replace the O-ring on the ball when it is cracked, damaged or broken.

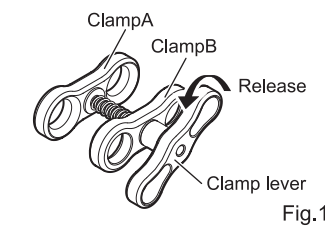


Ball Clamp

How to joint the arms, and the head and base adapters

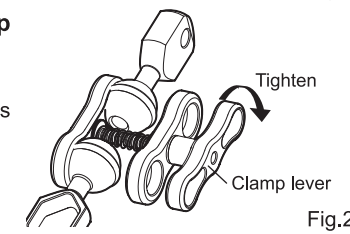
- 1 Rotate the clamp lever counterclockwise and release the clamp to put the balls of the components between clamps A and B (Fig.1)

- The Ball Clamp is delivered with enough space between clamps A and B for ball setting. Do not release the clamp lever more than necessary.



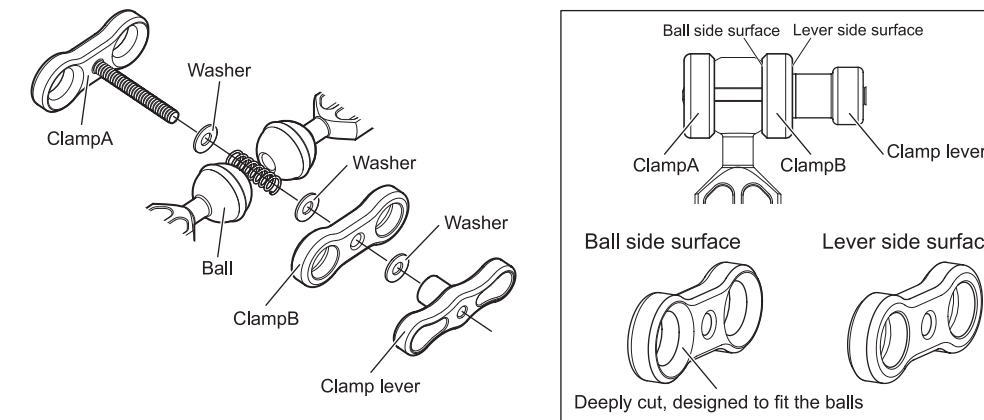
- 2 Tighten the clamp lever clockwise to fix and keep the angle-tuned components (Fig.2)

- Do not apply excessive force when tightening the clamp.
- Do not adjust the angle of components while the clamp is tightened up. It will damage the balls, and cause corrosion.



CAUTION

When assembling the Ball Clamp, pay attention to the alignment of clamp B. If clamp B is attached incorrectly, the components cannot be fixed in place.

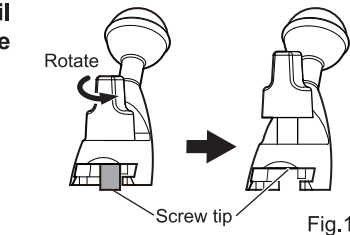


- Do not lose washers which protect clamps A and B and the lever from damage and corrosion.

Slide Ball Base

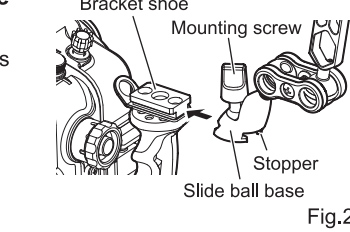
How to mount to the bracket shoe on a SEA&SEA housing grip

- 1 Rotate the mounting screw counterclockwise until the screw tip cannot be seen from the slide side (Fig.1)



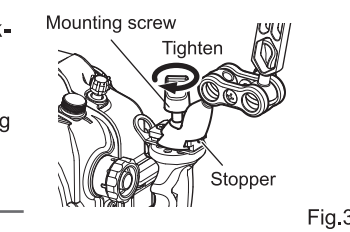
- 2 Slide and mount the ball base to the bracket shoe (Fig.2)

- Make sure to slide the ball base until the stopper touches the bracket shoe.



- 3 Tighten up the mounting screw by rotating it clockwise (Fig.3)

- Make sure the ball base is fixed without backlash.
- Do not apply excessive force when tightening the mounting screw.



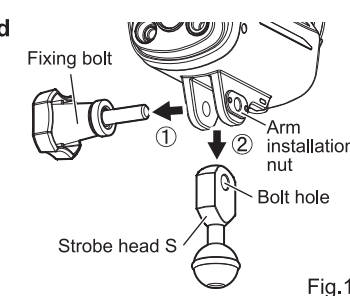
CAUTION

When in use, check the mounting screw and tighten it if it loosens.

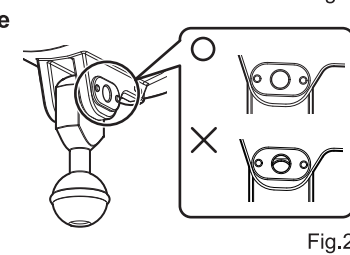
Strobe Head S

How to attach a strobe or light

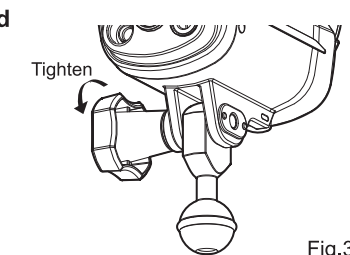
- 1 Remove the fixing bolt from a strobe/light, and attach the strobe/light to the Strobe Head S (Fig.1)



- 2 Align the hole of the arm installation nut with the bolt hole (Fig.2)



- 3 Tighten the fixing bolt to keep the angle-tuned strobe/light (Fig.3)



CAUTION

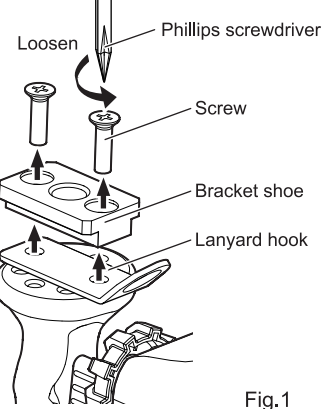
- Refer to the instruction manual for the strobe/light for details on how to install the fixing bolt.

Fixed Ball Base

How to mount on the top of a SEA&SEA housing grip

- 1 Remove the parts on the grip using a phillips screwdriver (Fig.1)

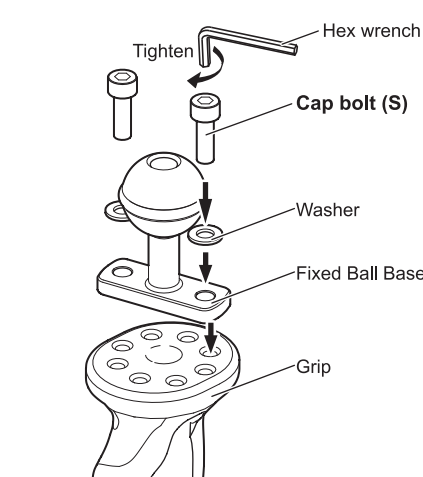
- Please make sure not to lose the removed parts.



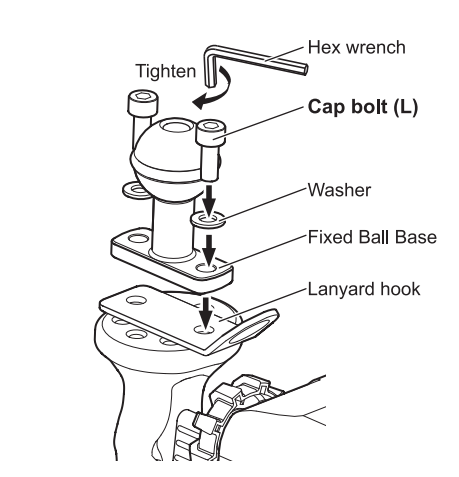
- 2 Set the ball base, washer and cap bolt on the grip as shown, then tighten up the cap bolt with a hex wrench.

- Do not apply excessive force when tightening up the cap bolt.
- The length of the cap bolt depends on the attached parts.

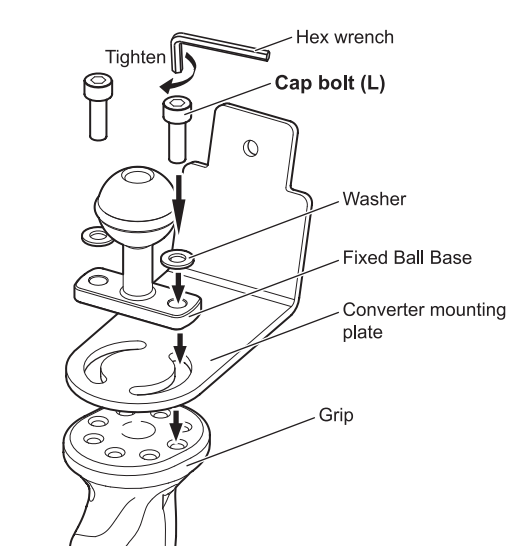
① Fixed Ball Base only



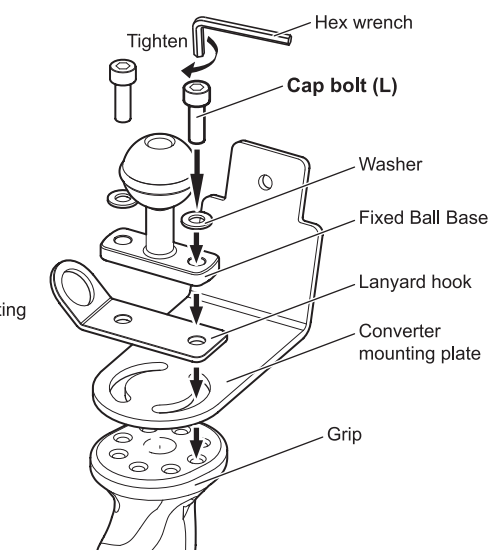
② Lanyard hook + Fixed Ball Base



③ Converter mounting plate + Fixed Ball Base



④ Converter mounting plate + Lanyard hook + Fixed Ball Base

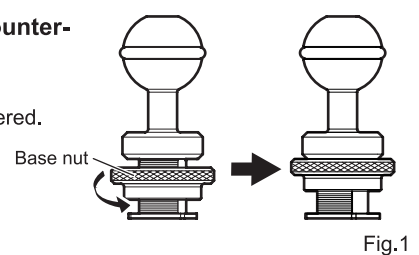


Ball Base for Accessory Shoe

How to mount to the accessory shoe on SEA&SEA camera/video housings

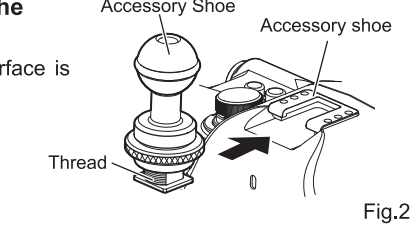
- 1 Shift the base nut upward by rotating it counterclockwise until it stops (Fig.1)

- Do not over tighten the nut.
- The base nut is set at the uppermost part when delivered.



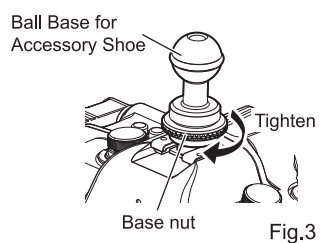
- 2 Align the thread facing forward and the flat surface facing sideways, and slide the ball base into the accessory shoe on the housing (Fig.2)

- The ball base cannot be mounted when the flat surface is facing forward.



- 3 Shift the base nut downward and tighten it up by rotating it clockwise (Fig.3)

- Make sure the ball base is fixed without backlash.



CAUTION

When in use, check the base nut and tighten it if it loosens.