

Thank you for purchasing SEA&SEA products. Please read this instruction manual carefully prior to using this product. Only with a thorough understanding of this manual's content will you be able to use the products correctly. After reading the manual, please be sure to keep it in a place where you can easily come back to it at any time.

Note:

The appearance of color evenness or weld lines on the external body of the product is normal and will not affect its performance.

Safety Precautions

For safe handling of the product, please read the following precautions carefully before use.

Failure to heed the precautions listed below could result in serious consequences. To prevent injury or damage to yourself and/or others, please observe the precautions as they contain highly important information related to personal and product safety.

CAUTION Situations that could result in property damage or personal injury.

CAUTION

- Always make sure that the camera, strobe, light and accessories are securely mounted to prevent them from falling off, becoming lost, causing personal injury or equipment malfunction.
- Rinse the product with fresh water, after underwater use. Refer to [Maintenance and Storage] for details.
- When in use, check the Clamp lever or screws, and tighten them when they loosen.
- Do not assemble the arm or other underwater photography equipment in sandy or dusty environments.
- Avoid strong shocks/impacts or excess stress to prevent malfunction, damage or breakdown. Make sure that the product has been securely mounted to other products in order to prevent injury, fall or missing.
- Do not leave the product in places with hot temperatures such as inside of a car or in a car trunk in summer.
- Do not store the product in wet or high humidity place, to avoid mold, rust, corrosion or malfunction.
- Do not store the product wet. Thoroughly dry the product surface using a soft non-scratching cloth to prevent spot marks.
- SEA&SEA SUNPAK Co., Ltd. will not be responsible for the replacement or compensation for cameras, lenses or those accessories damaged due to your invalid operation.
- SEA&SEA SUNPAK Co., Ltd. assumes no liability for compensation of loss of captured images or expenses caused by loss of images, even if you are unable to shoot due to a product defect or malfunction.
- SEA&SEA SUNPAK Co., Ltd. assumes no liability for errors or discrepancies in this manual.

Maintenance and Storage

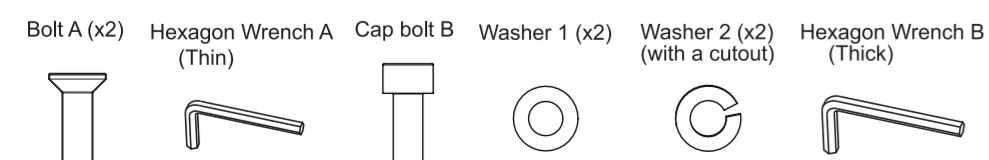
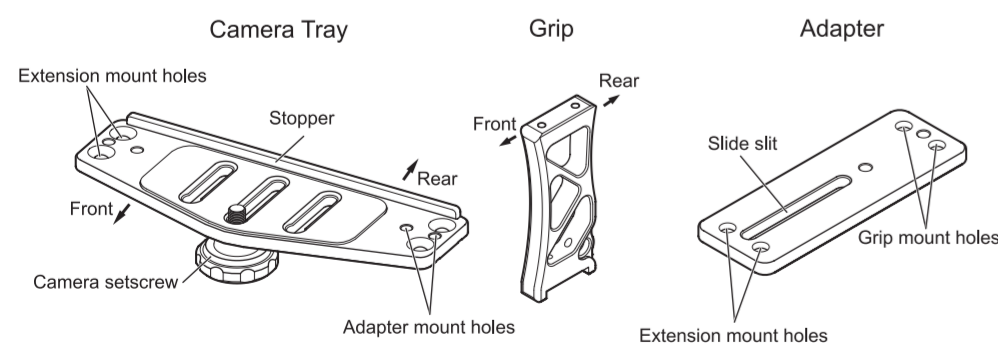
- Never use chemicals, cosmetics, any petroleum solvents such as paint thinner, or neutral detergent on the product. They may deform and damage the product.
- After each use in salt water, soak it sufficiently in fresh water.
- Insufficient soaking causes damage by salt to the product. Salty residue may be left on the product where it will crystallize as it evaporates. Crystallized salt is hard to dissolve and difficult to be removed once formed.
- After rinsing, dry the product well with a soft dry cloth, then let the product dry in the shade, out of direct sunlight.
- Do not dry the product by heating (using a hair dryer, for example). Heating can deform and damage the product.
- If you will not use the product for an extended period of time, store it away from high temperatures, high humidity, direct sunlight, or extreme cold.
- Do not store the product with naphthalene or camphor mothballs, or in locations such as a laboratory where chemicals are used. This environment can cause mold, rust, corrosion or malfunction.
- Store the system after use with each component disjoined.
- Every two years we recommend a complete overhaul of O-rings regardless of the frequency in use, for the best performance of the product.

How to use each product

SA8 Camera Tray + Grip (22118)

Assemble the parts and use with a compact digital camera housing.

<Accessories>



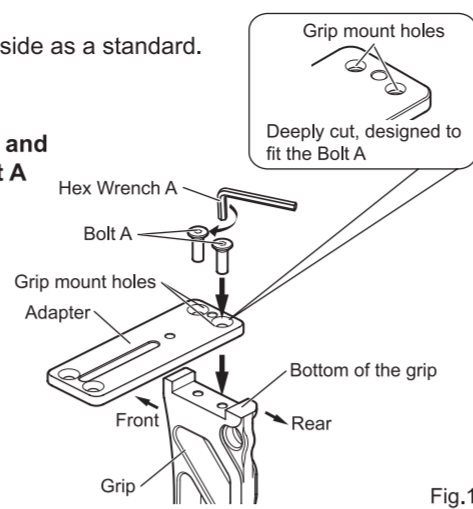
Construction : Corrosion-resistant aluminium alloy (anodized finish), rubber, Stainless steel, Plastic
Dimensions (WxHxD) : Approx.222x129.5x67.3mm / 8.88x5.18x2.7inch
Weight : 260g / 9.1oz

Assembling

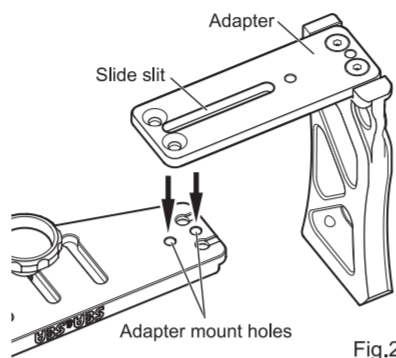
Assuming the grip is mounted on the left-hand side as a standard.

1 Set the adapter on the bottom of the grip, and secure it with Bolt A by tightening up Bolt A using the Hex Wrench A (Fig.1)

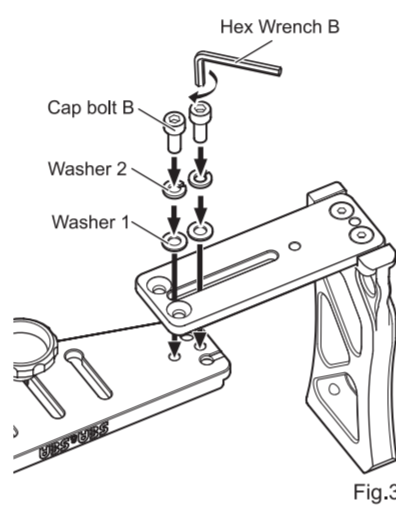
- Pay attention to the alignment of the adapter.



2 Align the slide slit on the adapter with the adapter mount holes on the underside surface of the camera tray (Fig.2)

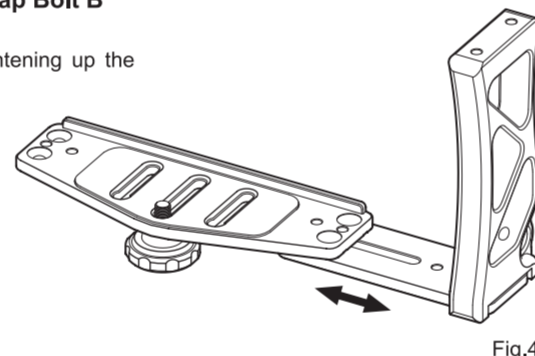


3 Set Washer 1, Washer 2 and Cap Bolt B on the adapter mount holes as shown, then lightly tighten Cap Bolt B using Hex Wrench B (Fig.3)



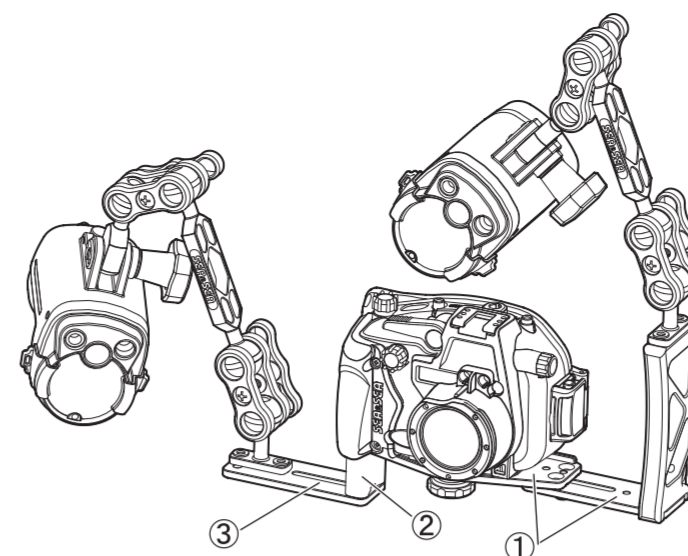
4 Adjust the adapter (grip) position by sliding the adapter into place, and tighten up Cap Bolt B with Hex Wrench B

- Do not apply excessive force when tightening up the cap bolt.



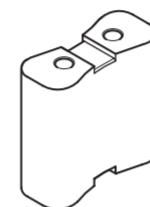
System example

- Camera Tray + Grip
- Camera Tray Extension
- Camera Tray Adapter



SA8 Camera Tray Extension (22121)

The extension gives better operability of the shutter release lever by producing a space to rest the right palm.

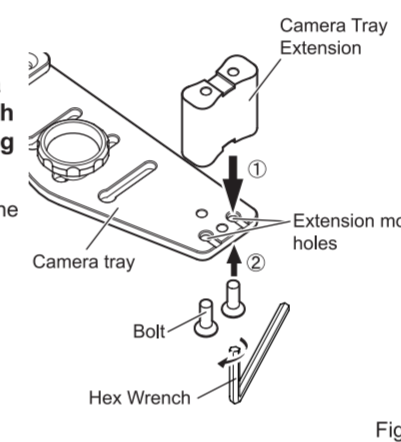


Construction : Corrosion-resistant aluminium alloy (anodized finish)
Dimensions (WxHxD) : Approx.35x35x15mm / 1.4x1.4x0.6inch
Weight : 36.5g / 1.28oz
Accessory : Hexagon Wrench Bolt (x4)

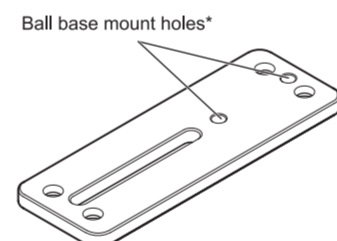
How to attach a camera tray extension

1 Place the extension in the extension mount hole position on the underside of the camera tray, and secure it with the bolts supplied with the extension by tightening up the bolts using the supplied hex wrench (Fig.1)

- Do not apply excessive force when tightening up the bolts.



SA8 Camera Tray Adapter (22123)



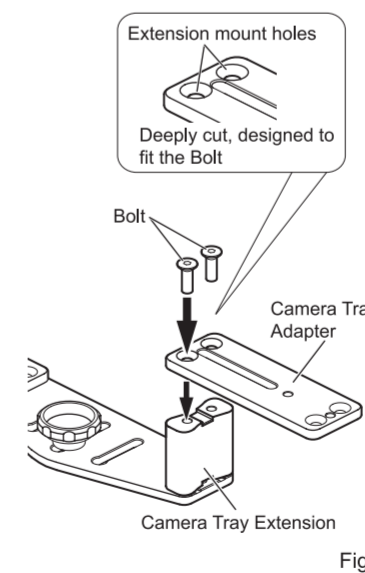
Construction : Corrosion-resistant aluminium alloy (anodized finish)
Dimensions (WxHxD) : Approx.100x5x35mm / 1.4x1.4x0.6inch
Weight : 40g / 1.4oz
Accessory : Hexagon Wrench Cap bolt (x2) Washer A (x2) Washer B (with a cutout) (x2)

*Mount holes for the optional SA8 Fixed Ball Base (22119).

How to attach the camera tray adapter using the extension

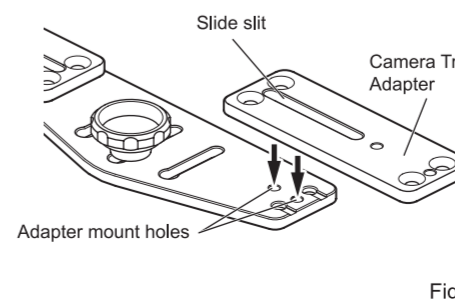
1 Set the camera tray adapter on the extension, and secure it with the bolts supplied with the extension by tightening up the bolts using the supplied hex wrench (Fig.1)

- Do not use the cap bolt supplied with the camera tray adapter to secure the adapter.
- Pay attention to the alignment of the adapter.
- The adapter position is not adjustable when the extension is used.



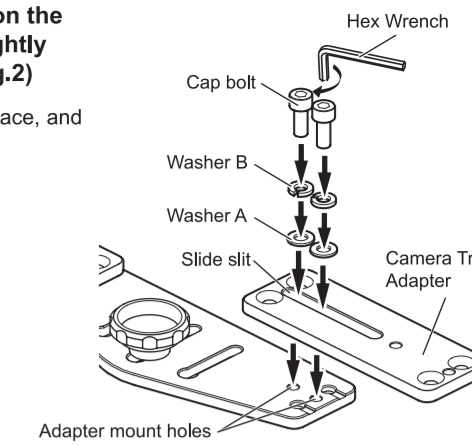
How to attach the camera tray adapter without using the extension

1 Align the slide slit on the adapter with the adapter mount holes on the underside surface of the camera tray (Fig.1)

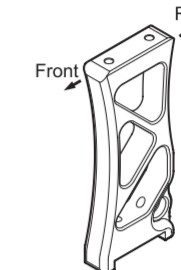


2 Set Washer A, Washer B and Cap Bolt on the adapter mount holes as shown, then lightly tighten Cap Bolt using Hex Wrench (Fig.2)

- Adjust the adapter position by sliding it into place, and secure it by tightening up the cap bolt.



SA8 Extra Grip (22122)

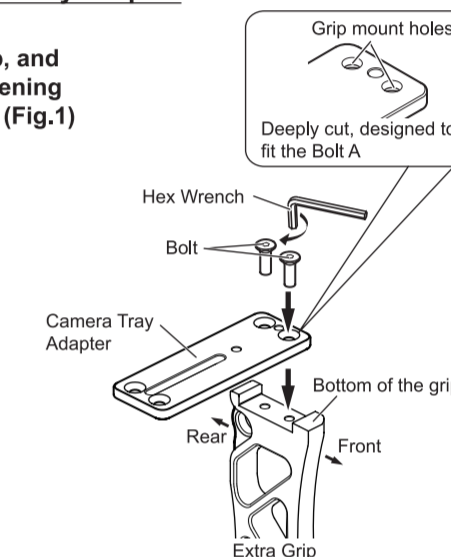


Construction : Corrosion-resistant aluminium alloy (anodized finish)
Dimensions (WxHxD) : Approx.52x120x15mm / 2.08x4.8x0.6inch
Weight : 109.5g / 3.83oz
Accessory : Hexagon Wrench Bolt (x2)

How to attach the extra grip to the camera tray adapter

1 Set the adapter on the bottom of the grip, and secure it with the supplied bolts by tightening the bolts using the supplied hex wrench (Fig.1)

- Pay attention to the alignment of the adapter.

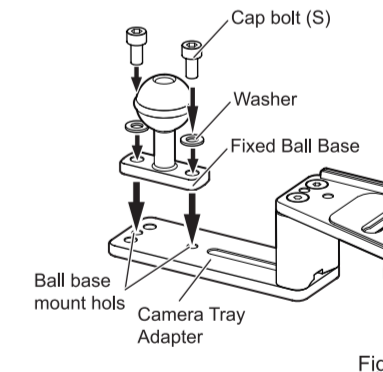


Attaching optional products

How to attach an SA8 Fixed Ball Base (22119) to the adapter

1 Set the ball base, washer and cap bolt (S) on the camera tray adapter as shown, and secure it with bolts by tightening the bolts using a hex wrench (Fig.1)

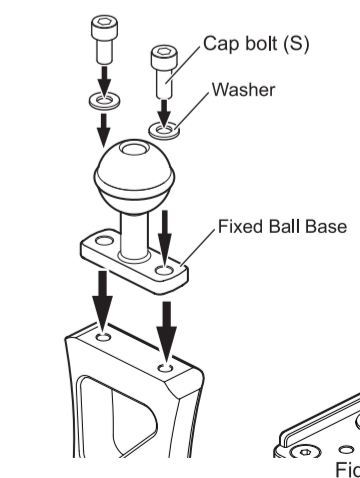
- Use the cap bolt (S) and the hex wrench which are supplied with the ball base.



How to attach an SA8 Fixed Ball Base (22119) to the grip

1 Set the ball base, washer and cap bolt (S) on the grip as shown, and secure it with bolts by tightening the bolts using a hex wrench (Fig.1)

- Use the cap bolt (S) and the hex wrench which are supplied with the ball base.



2 Attach an external strobe by combining other optional SA8 systems

- Refer to the instruction manuals for the other SA8 systems for details.