

Thank you for purchasing SEA&SEA products.

Please read this instruction manual carefully prior to using your underwater housing. Only with a thorough understanding of this manual's content will you be able to use the housing correctly. After reading the manual, please be sure to keep it in a place where you can easily come back to it at any time.

Precautions

Failure to heed the precautions listed below could result in serious consequences. To prevent injury or damage to yourself and/or others, please observe the precautions as they contain highly important information related to personal and product safety.

CAUTION Situations that could result in property damage or personal injury.

CAUTION

- Unauthorized disassembling and/or modification could result in malfunction or flooding, and void product warranty. Take the product to a SEA&SEA authorized service center for repair or inspection.
- Do not open the product in a wet or sandy environment. Protect the interior from moisture and debris in order to prevent malfunction or flooding.
- Never use chemicals, cosmetics, any petroleum solvents such as paint thinner, or neutral detergent on the product. They may deform and damage the product.
- Do not store the product in wet or high humidity place, to avoid mold, rust, corrosion or malfunction.
- SEA&SEA SUNPAK Co., Ltd. assumes no liability for compensation of loss of captured images or expenses caused by loss of images, even if you are unable to shoot due to a product or malfunction.
- SEA&SEA SUNPAK Co., Ltd. will not be responsible for the replacement or compensation for cameras, lenses or those accessories damaged due to your invalid operation.
- SEA&SEA SUNPAK Co., Ltd. assumes no liability for errors or discrepancies in this manual.

Maintenance and Storage

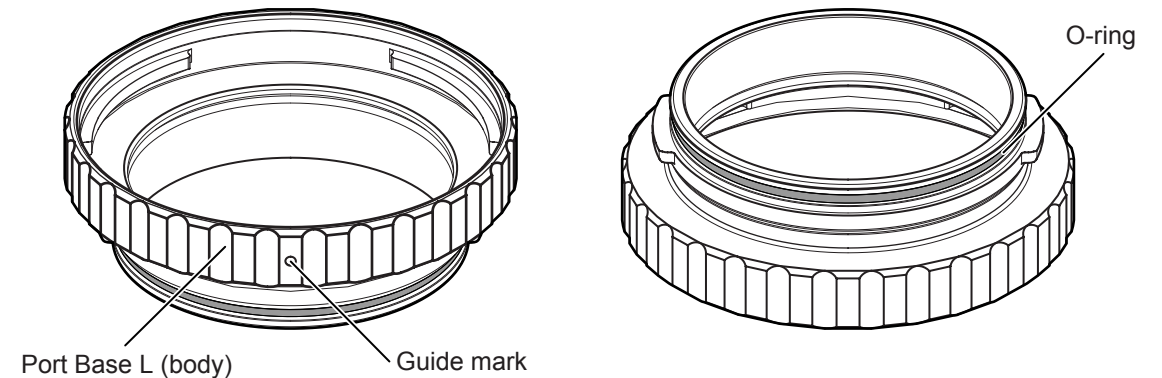
- Never use chemicals, cosmetics, any petroleum solvents such as paint thinner, or neutral detergent on the product. They may deform and damage the product.
- After each use in salt water, make sure it's watertight, then soak it sufficiently in fresh water.
- Insufficient soaking causes damage by salt to the product. Salty residue may be left on the product where it will crystallize as it evaporates. Crystallized salt is hard to dissolve and difficult to be removed once formed, and it will result in water leakage.
- After rinsing, dry the product well with a soft dry cloth, then let the product dry in the shade, out of direct sunlight.
- Do not dry the product by heating (using a hair dryer, for example). Heating can deform and damage the product.
- If you will not use the product for an extended period of time, store it away from high temperatures, high humidity, direct sunlight, or extreme cold.
- Do not store the product with naphthalene or camphor mothballs, or in locations such as a laboratory where chemicals are used. This environment can cause mold, rust, corrosion or malfunction.
- After using the product, maintain the O-rings before storing. Examine the O-rings before and after each dive. We recommend early exchange of the O-rings, at least once a year.
- Every two years we recommend a complete overhaul of O-rings regardless of the frequency in use, for the best performance of the product.

Specifications

Construction□	Corrosion-resistant aluminum alloy
Dimensions□	Approx. 129 × 40mm / 5.2 × 1.6inch (DIA × D)
Weight□	Approx. 205g / 7.2oz
Accessories□	Silicone grease, Instruction manual (this manual)

*The specifications and appearance are subject to change without notice.

Identification of Parts



Port Base L (body) Guide mark

Attaching and Detaching the Port Base L

Attaching

- 1 Release the port lock on the RDX housing (front case) by sliding it in the direction of the arrow as shown in the diagram, and rotate the port mount ring toward OPEN (in a counterclockwise direction) until it stops (Fig.1)
- 2 Align the convex part of the Port Base L with the concave part of the port mount ring, and fully insert the Port Base L into the housing (Fig.2)

CAUTION

- Before attaching the Port Base L, make sure there are no specks of dust, scratches, or deformities on the O-ring and the O-ring contact surfaces.
- Attach the Port Base L so that the guide mark faces upward.
(The guide mark is the positioning mark for installing NX ports.)

- 3 Rotate the port mount ring toward LOCK (in a clockwise direction) until you hear it click into position (Fig.3)

- Make sure that the port lock has returned to the lock position as shown in the diagram.

Detaching

- 1 Release the port lock by sliding it in the direction of the arrow, and rotate the port mount ring toward OPEN (in a counterclockwise direction) until it stops (Fig.1)
- 2 Hold the RDX housing (front case) firmly, and pull the Port Base L straight off

CAUTION

- Do not attempt to detach the Port Base L with the port mount ring locked. This could result in damage to the port mount ring.

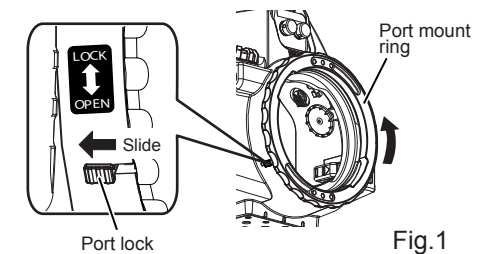


Fig.1

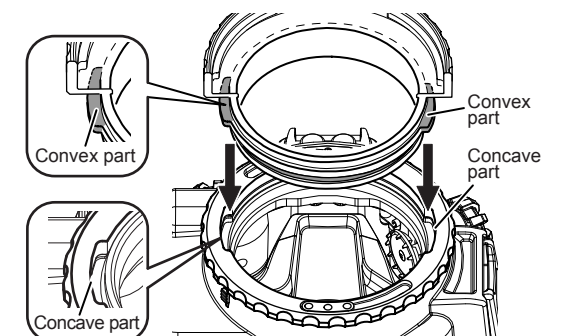


Fig.2

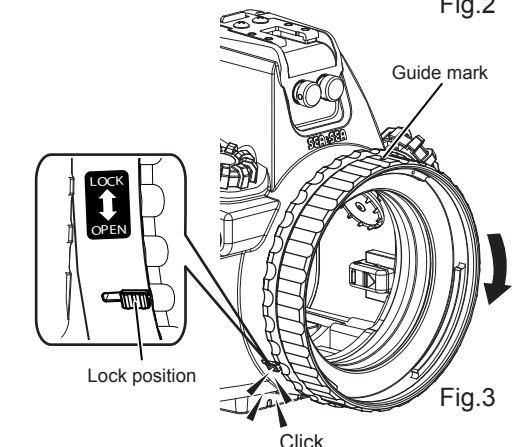


Fig.3