

DX Glass Dome Port 200AR

30142

Instruction Manual

Thank you for your purchase of SEA&SEA product. For proper operation of the product and safe handling, please read the following instructions carefully before use. This manual should be retained for future reference.

Safety Precautions

Failure to heed the precautions listed below could result in serious consequences. To prevent injury or damage to yourself and/or others, please observe the precautions as they contain highly important information related to personal and product safety.

CAUTION Situations that could result in property damage or personal injury.

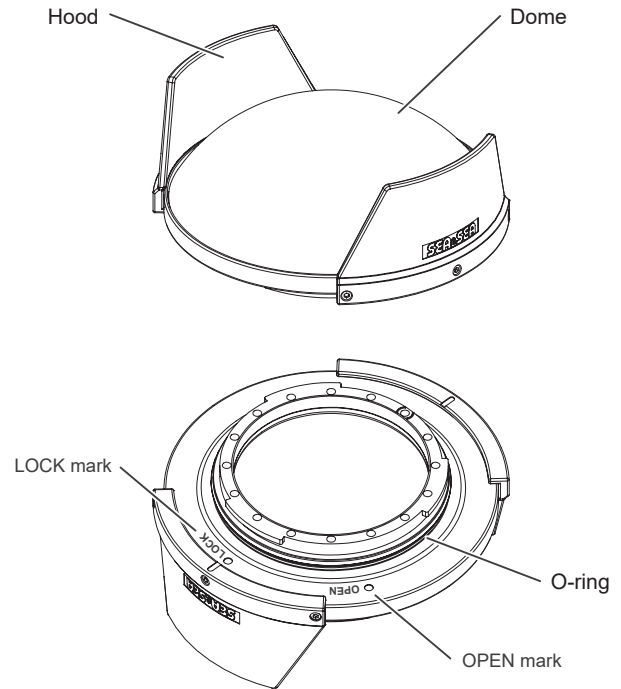
CAUTION

- Unauthorized disassembling and/or modification could result in malfunction or flooding, and void product warranty. Take the product to a SEA&SEA authorized service center for repair or inspection.
- Do not open the product in a wet or sandy environment. Protect the interior from moisture and debris in order to prevent malfunction or flooding.
- Avoid strong shocks/impacts or excess stress to prevent malfunction, damage or breakdown. Make sure that the product has been securely mounted to other products in order to prevent injury, fall or missing.
- Do not carry the camera or housing by holding the accessories such as arm, cable, strobe, etc. Heavy components may fall and cause damage or injury.
- Do not leave the product in places with hot temperatures such as inside of a car or in a car trunk in summer.
- Do not store the product in wet or high humidity place, to avoid mold, rust, corrosion or malfunction.
- Do not store the product wet. Thoroughly dry the surface using a soft non-scratching cloth to prevent spot marks.
- SEA&SEA SUNPAK Co., Ltd. will not be responsible for the replacement or compensation for cameras, lenses or those accessories damaged due to your invalid operation.
- SEA&SEA SUNPAK Co., Ltd. assumes no liability for compensation of loss of captured images or expenses caused by loss of images, even if you are unable to shoot due to a product defect or malfunction.
- SEA&SEA SUNPAK Co., Ltd. assumes no liability for errors or discrepancies in this manual.

Maintenance and Storage

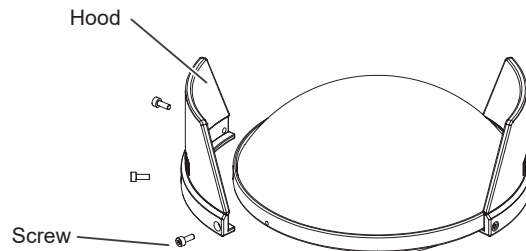
- Never use chemicals, cosmetics, any petroleum solvents such as paint thinner, or neutral detergent on the product. They may deform and damage the product.
- After each use in salt water, make sure it's watertight, then soak it sufficiently in fresh water.
- Insufficient soaking causes damage by salt to the product. Salty residue may be left on the product where it will crystallize as it evaporates. Crystallized salt is hard to dissolve and difficult to be removed once formed, and it will result in water leakage.
- After rinsing, dry the product well with a soft dry cloth, then let the product dry in the shade, out of direct sunlight.
- Do not dry the product by heating (using a hair dryer, for example). Heating can deform and damage the product.
- If you will not use the product for an extended period of time, store it away from high temperatures, high humidity, direct sunlight, or extreme cold.
- Do not store the product with naphthalene or camphor mothballs, or in locations such as a laboratory where chemicals are used. This environment can cause mold, rust, corrosion or malfunction.
- After using the product, maintain the O-rings before storing. Examine the O-rings before and after each dive. We recommend early exchange of the O-rings, at least once a year.
- Every two years we recommend a complete overhaul of O-rings regardless of the frequency in use, for the best performance of the product.

Identification of Parts



Removing and refitting the hood

The hood of this product can be removed by detaching the fixing screw.



Maintaining the O-ring

This product is kept watertight by the O-ring. To keep the O-ring functioning properly, please observe the following before setting up.

- Make sure to remove the O-ring when maintaining.
- For detailed O-ring maintenance methods, please see the O-ring maintenance manual.
- The O-ring is a consumable item, and it generally lasts for one year. It is advisable to replace it early.

Specifications

Construction	Body:Corrosion-resistant aluminum alloy Dome:Optical glass, Hood:ABS
Depth rating	60m (197feet)
Weight	Approx. 1,620g (57.1oz)
Dimensions	Approx. $\phi 220$ (DIA) $\times 99$ (D)mm / 8.7 \times 3.9 inches
Accessories	Optical Dome Port Cover M, DX Port Rear Cover, QR Card

* Specifications and appearance are subject to change without notice.