

Thank you for purchasing SEA&SEA products. Please read this instruction manual carefully prior to using this product. Only with a thorough understanding of this manual's content will you be able to use the product correctly. After reading the manual, please be sure to keep it in a place where you can easily come back to it at any time.

### Precautions

Failure to heed the precautions listed below could result in serious consequences. To prevent injury or damage to yourself and/or others, please observe the precautions as they contain highly important information related to personal and product safety.

**⚠ CAUTION** Situations that could result in property damage or personal injury.

### ⚠ CAUTION

- Carefully observe the instruction manual for the compatible lens for this product before use.
- This product includes an O-ring (divided into pieces) for interlocking the lens and the gear. In some cases, the interlocking may be too tight or loose when attaching the gear, due to deviation in the lens diameter.

#### ① When too tight

Remove all of the O-ring pieces from inside the gear and cut them shorter with scissors. Re-insert these pieces into the grooves inside the gear, providing ample space between the pieces. Adjust the length of the O-ring pieces for appropriate tightness.

\* Do not force the lens into the gear when the interlocking is too tight, because this may result in damage to the lens.

#### ② When too loose

Replace the O-ring with the thicker O-ring that was also supplied with this product. If it becomes too tight with the thicker O-ring, adjust the interlocking tightness as explained above ①. If it is still too loose, use

the gear sheet which is included in the package. Cut the sheet into 3 to 6 pieces with scissors, and apply them to the upper space of the grooves inside the gear.

\* The thicker O-ring may not be compatible with some lenses due to size restrictions. In this case, adjust the tightness by following the above procedure ① and using the gear sheet included in the package.

- Always make sure that the gear and the lens work properly after adjustment.
- SEA&SEA SUNPAK Co., Ltd. will not be responsible for the replacement or compensation for cameras, lenses or those accessories damaged due to your invalid operation.
- SEA&SEA SUNPAK Co., Ltd. assumes no liability for compensation of loss of captured images or expenses caused by loss of images, even if you are unable to shoot due to a product defect or malfunction.
- SEA&SEA SUNPAK Co., Ltd. assumes no liability for errors or discrepancies in this manual.

### Focus Gear

- This product is designed to make lens focusing possible utilizing the focus/zoom dial on SEA&SEA digital SLR camera housings.

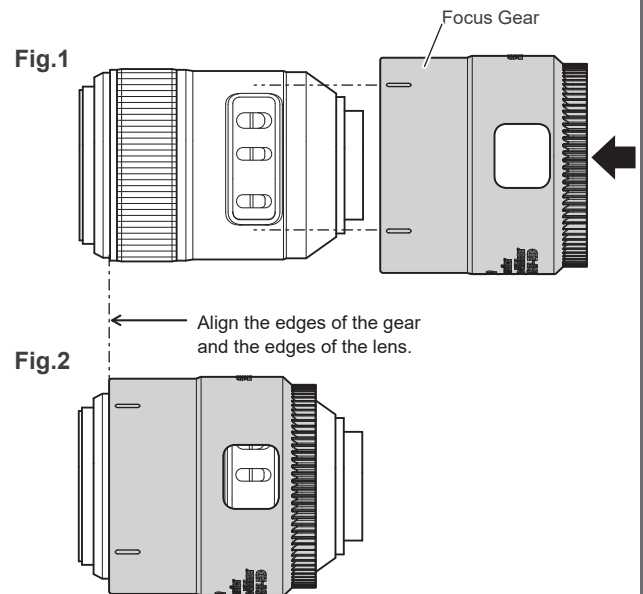
### How to Attach to the Lens

#### 1 Align the lens switch between the “—” marks, and attach it straight as shown in the figure. (Fig.1)

- Please make sure to insert the focus gear from the front of the lens. (Fig.1)
- Push the gear down as far as it will go. (Fig.2)

#### 2 Mount the lens, with the gear attached, to the camera, and then mount the camera in the housing

- Refer to the housing instruction manual for mounting the camera in the housing.
- After mounting the camera in the housing, always try operating the focus/zoom dial on the housing to make sure that the lens works smoothly and properly with the gear attached. If the gear is not properly attached to the lens or is out of parallel alignment, the focus operation may not work properly.



### ⚠ CAUTION

- Ensure that the O-ring pieces inside the gear do not come out of the grooves when detaching the gear from the lens.

### Specifications

Construction	Nylon	Dimension(DIA × D)	Approx. 94 × 89mm / 3.7 × 3.5inch
Weight	Approx. 88g / 3.1oz	Accessories	Gear sheet (stick-on) • O-ring • QR code

\* The specifications and appearance are subject to change without notice.