

Thank you for purchasing SEA&SEA products. Please read this instruction manual carefully prior to using this product. Only with a thorough understanding of this manual's content will you be able to use the product correctly. After reading the manual, please be sure to keep it in a place where you can easily come back to it at any time.

Precautions

Failure to heed the precautions listed below could result in serious consequences. To prevent injury or damage to yourself and/or others, please observe the precautions as they contain highly important information related to personal and product safety.



CAUTION Situations that could result in property damage or personal injury.

CAUTION

- Carefully observe the instruction manual for the compatible lens for this product before use.
- This product includes an O-ring (divided into pieces) for interlocking the lens and the gear. In some cases, the interlocking may be too tight or loose when attaching the gear, due to deviation in the lens diameter.
 - ① **When too tight**
Remove all the O-rings from the inside groove of the gear and cut them into half length. Place them back into the O-ring groove (spaced them in equal distance to provide even grip)
* Using force to attach the zoom gear to the camera lens may result in damage to the lens.
 - ② **When too loose**
Remove all the O-rings from the inside groove of the gear and replaced this with the optional O-ring as supplied with the gear unit. Cut this O-ring and replace this onto the O-ring groove (cut off the excess length to fit into the groove area)

If the gear feels too tight to attach to the lens, follow the above instruction ①.

- Always make sure that the gear and the lens work properly after adjustment.
- SEA&SEA SUNPAK Co., Ltd. will not be responsible for the replacement or compensation for cameras, lenses or those accessories damaged due to your invalid operation.
- SEA&SEA SUNPAK Co., Ltd. assumes no liability for compensation of loss of captured images or expenses caused by loss of images, even if you are unable to shoot due to a product defect or malfunction.
- SEA&SEA SUNPAK Co., Ltd. assumes no liability for errors or discrepancies in this manual.

Zoom Gear

- Zooming with this unit can be performed with the focus / zoom dial on the SEA & SEA housing made for the Sony mirrorless SLR single lens reflex model (**DX port compatible model**).

CAUTION

- This product is not compatible with the SEA & SEA Sony mirrorless single lens reflex housing (**ML port compatible model**).

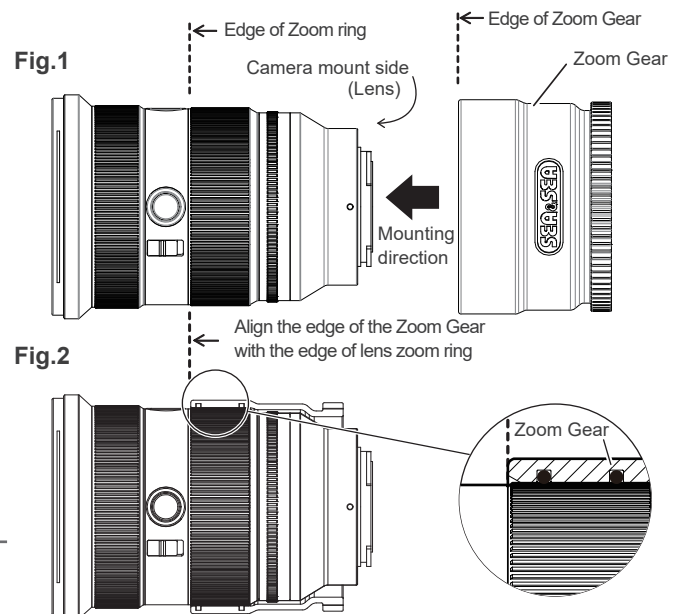
How to Attach to the Lens

1 Attach this product to the lens in parallel alignment with the lens as shown in Fig.1

- Please make sure to insert the zoom gear from the rear of the lens. (Fig.1)
- Push the gear down as shown. (Fig.2)

2 Mount the lens, with the gear attached, to the camera, and then mount the camera in the housing

- Refer to the housing instruction manual for mounting the camera in the housing.
- After mounting the camera in the housing, always try operating the focus/zoom dial on the housing to make sure that the lens works smoothly and properly with the gear attached.
- * If the gear is not properly attached to the lens or is out of parallel alignment, the zoom operation may not work properly.



CAUTION

- Ensure that the O-ring pieces inside the gear do not come out of the grooves when detaching the gear from the lens.

Specifications

Construction	Nylon resin	Dimension(DIA×D)	Approx. 84 × 60mm / 3.3 × 2.4inch
Weight	Approx. 47g / 1.65oz	Accessories	•QR sheet •O-ring × 2

* The specifications and appearance are subject to change without notice.