

Leak Alarm Unit

Instruction Manual

Thank you for your purchase of a SEA&SEA product. For proper operation of the product and safe handling, please read the following instructions carefully before use. This manual should be retained for future reference.

Safety Precautions

● For safe handling of the product, please read the following precautions carefully before use.

Failure to heed the precautions listed below could result in serious consequences. To prevent injury or damage to yourself and/or others, please observe the precautions as they contain highly important information related to personal and product safety.

⚠ DANGER Situations that involve a high risk of severe injury or death.

⚠ WARNING Situations that could result in severe injury or death.

⚠ CAUTION Situations that could result in property damage or personal injury.

⚠ DANGER

● Unauthorized disassembling and/or modification could result in malfunction or flooding, and void product warranty. Take the product to a SEA&SEA authorized service center for repair or inspection.

⚠ WARNING

Use only batteries approved for use in this product. Do not mix old and new batteries or batteries of different types.

● Remove batteries before transport or storage, or when you are not going to use the product for an extended period of time, to prevent unexpected activation.

● Keep out of reach of children to prevent accidental ingestion. If swallowed, seek medical advice immediately.

⚠ CAUTION

● Should you notice smoke or an unusual smell coming from the product, turn it off and remove the batteries immediately, taking care to avoid burns. Continued operation could result in injury. After removing the battery, take the product to an authorized SEA&SEA service center for inspection.

● Keep away from strong magnetic fields. Do not use or store this product in the vicinity of equipment that generates strong electro-magnetic radiation or magnetic fields. Strong static charges or the magnetic fields could cause malfunction, or affect the product's internal circuitry.

● Do not rest heavy weight on the product. It might deform the outer casing, damage internal parts, make the waterproofing fail, or result in fire or electric shock.

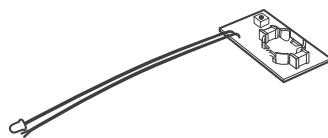
Do not store the product in wet or high humidity place, to avoid mold, rust, corrosion or malfunction.

Do not store the product with naphthalene or camphor mothballs, or in locations such as a laboratory where chemicals are used. This environment can cause mold, rust, corrosion or malfunction.

● Specifications and appearance are subject to change without notice.

Checking the Package Contents

Leak sensor



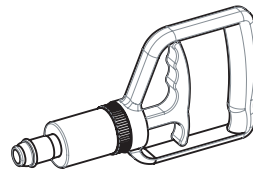
Valve body



Cord clip



Vacuume pump



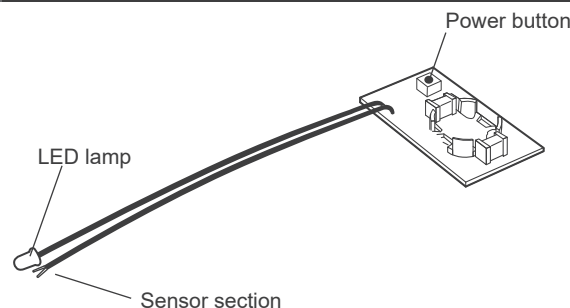
Battery (CR2032)



Snap ring



Identification of Parts

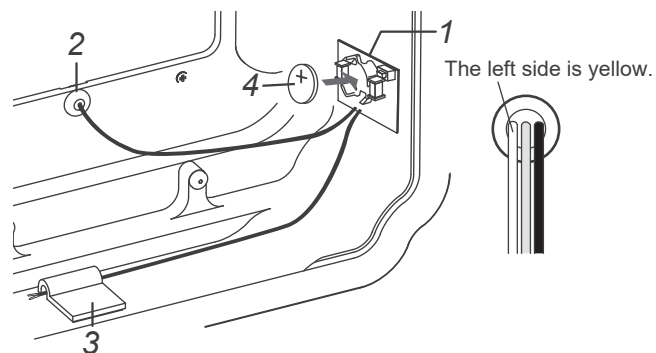


Attaching the Leak Sensor

- Before attachment, wet the sensor section to make sure that the lamp lights up. (It goes out when the power is switched off and on again.)
- If the forked tip of the sensor section is wet, wipe it with dry cloth.

1 Remove the backing from the bottom of the leak sensor and attach it to a place where it does not interfere with the camera.

2 Insert the LED lamp in the specified place.



● If the housing in use does not have an LED lamp mount, use adhesive tape to affix the LED lamp to a place where it is visible from outside, such as an LCD window.

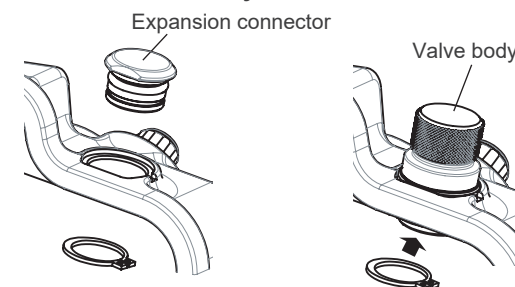
3 Fix the sensor section on the bottom surface with the cord clip.

● Be careful not to let the cord get caught by the camera, housing, etc. If the sensor causes interference, the housing may not function properly.

4 Set the battery.

● When inserting or replacing the battery, wipe off moisture on the leak sensor thoroughly and make sure that your fingers are dry. Take extra care for water droplets from your hair and wet suit. Otherwise, an electric shock, mold growth on the product, or malfunctioning may occur.

5 Remove the expansion connector on the housing and install the valve body.



Using the Leak Sensor

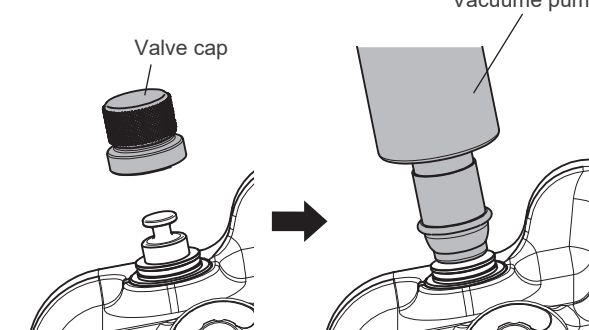
Before use

1 Press and hold the power button to turn ON the power.

● LED lamp flashes red.

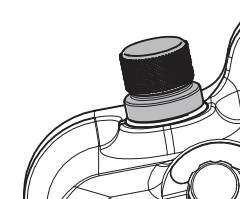
2 Remove the cap of the valve body and decompress with a vacuum pump.

● The LED lamp flashes orange during decompression.



3 When the LED lamp flashes green, install the cap

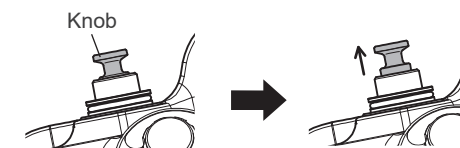
● Be sure to attach a cap before use.



After use

1 Remove the valve cap and pull the knob to bleed air.

● Keep pulling until the sound of the air stops



2 When the LED turns red, install the Valve cap.

3 Press and hold the power button to turn OFF the power.

[LED operation]

Status	Normal	Low battery
External pressure	Red (blinking)	Red (fast blinking)
Under decompression	Orange (blinking)	Orange (fast blinking)
Decompressed	Green (blinking)	Green (fast blinking)
Detected pressure change	Orange (blinking)	Orange (fast blinking)
Inundation detection	Red (lit)	Red (fast blinking)

Before use in water

● It is recommended to wait for 90 minutes after completion of negative pressure before actually using it in the water.

Maintenance and Storage

● If you will not use the product for an extended period of time, store it away from high temperatures, high humidity, direct sunlight, or extreme cold.

● Do not store the product with naphthalene or camphor mothballs, or in locations such as a laboratory where chemicals are used. This environment can cause mold, rust, corrosion or malfunction.

● Always remove batteries from the product after use.

Specifications

Weight	Leak sensor : Approx. ** g Valve body : Approx. ** g Vacuume pump : Approx. ** g
Accessories	CR1632 lithium battery, cord clip x 2, instruction manual (this manual)

*1 The specifications and appearance are subject to change without notice.

*2 The included battery is only for test operation and may not achieve its full capacity. Should that be the case, purchase a new battery and use it instead.