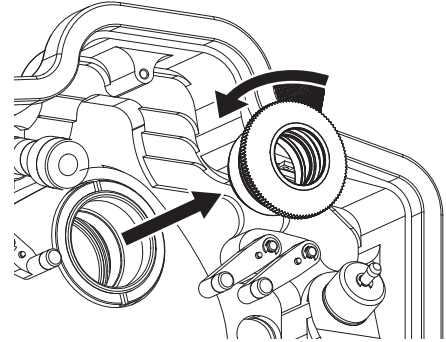


SEA&SEA

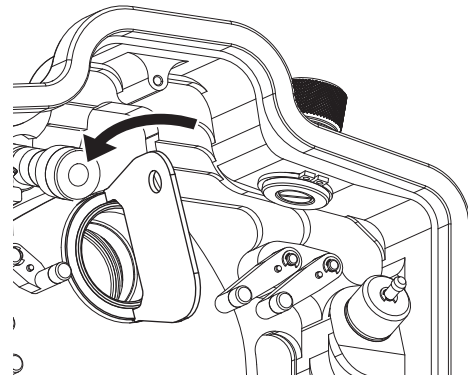
VF Adapter NA Installation Manual

December 18, 2025 Rev.00

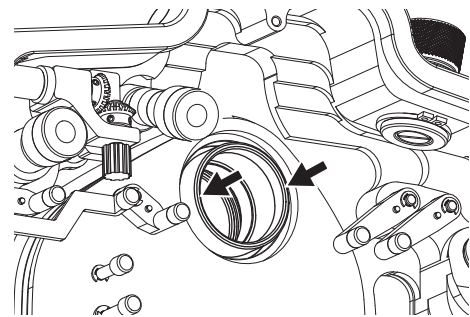
1. Remove the inner viewfinder from the SEA&SEA housing.



2. Remove the retaining ring using the installation tool included with this product.



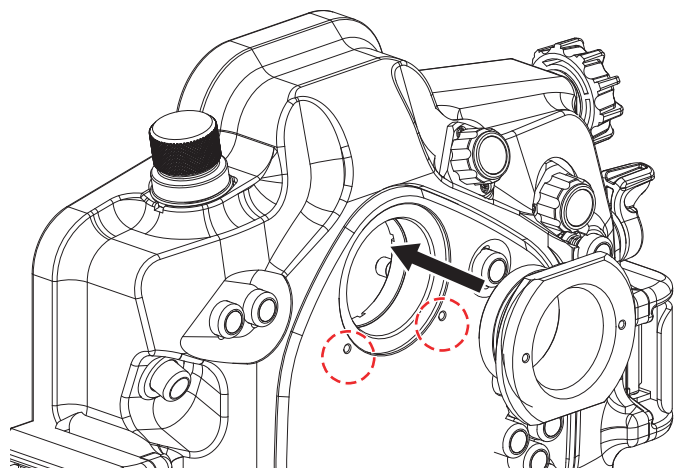
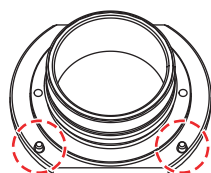
3. Press the arrow-indicated section of the viewfinder with your finger to remove it.



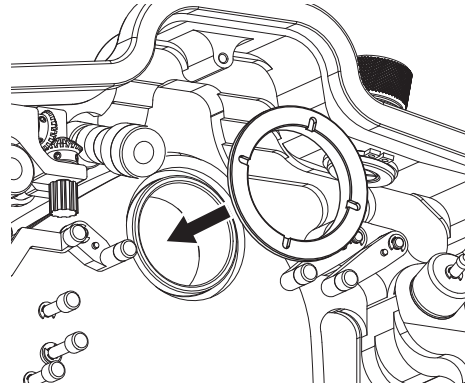
4. Install the VF adapter.

NOTE:

Align the hole on the rear window with the pin on the VF adapter.

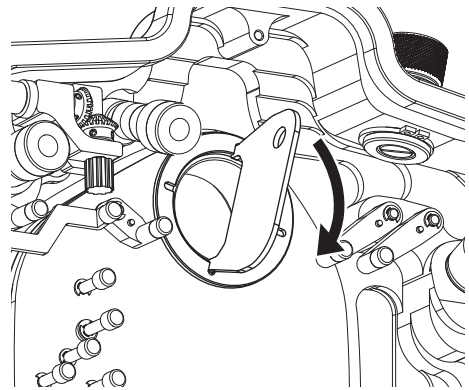


- 5.** Install the retainer ring of this product.



- 6.** Tighten the retainer ring using the installation tool included with this product.

CAUTION:
Do not overtighten.



- 7.** Install the Nauticam VF.

