

Instruction Manual

Thank you for your purchase of SEA&SEA product. For proper operation of the product and safe handling, please read the following instructions carefully before use. This manual should be retained for future reference.

Safety Precautions

* Failure to heed the precautions listed below could result in serious consequences. To prevent injury or damage to yourself and/or others, please observe the precautions as they contain highly important information related to personal and product safety.

⚠ **WARNING** : Situations that could result in severe injury or death.

⚠ **CAUTION** : Situations that could result in property damage or personal injury.

⚠ WARNING

- Keep out of reach of children to prevent accidental ingestion. If swallowed, seek medical advice immediately.
- Do not leave the product under the sun without caps or covers attached, to prevent fire due to concentrated sun rays.
- Do not look at the sun through the lens or the viewfinder to prevent permanent visual impairment.

⚠ CAUTION

- Read the instruction manual and observe proper precautions before use of this product.
- Unauthorized disassembling and/or modification could result in malfunction or flooding, and void product warranty. Take the product to a SEA&SEA authorized service center for repair or inspection.
- Avoid strong shocks/impacts or excess stress to prevent malfunction, damage or breakdown. Make sure that the product has been securely mounted to other products in order to prevent injury, fall or missing.
- Do not carry the camera or housing by holding the accessories such as arm, cable, strobe, etc. Heavy components may fall and cause damage or injury.
- Do not leave the product in places with hot temperatures such as inside of a car or in a car trunk in summer. The heat may deform plastic parts of the product, damaging internal parts and resulting in potential fire or electric shock. If the product is sealed tight in hot conditions, heated air expanding inside the product may deform the casing and ruin the waterproofing.
- Do not store the product in wet or high humidity place, to avoid mold, rust, corrosion or malfunction.
- Do not store the product with naphthalene or camphor mothballs, or in locations such as a laboratory where chemicals are used. This environment can cause mold, rust, corrosion or malfunction.
- Do not store the product wet. Thoroughly dry the glass surface using a soft non-scratching cloth to prevent spot marks.
- SEA&SEA SUNPAK Co., Ltd. assumes no liability for compensation of loss of captured images or expenses caused by loss of images, even if you are unable to shoot due to a product defect or malfunction.
- SEA&SEA SUNPAK Co., Ltd. will not be responsible for the replacement or compensation for cameras, lenses or those accessories damaged due to your invalid operation.
- SEA&SEA SUNPAK Co., Ltd. assumes no liability for errors or discrepancies in this manual.
- Specifications and appearance are subject to change without notice.

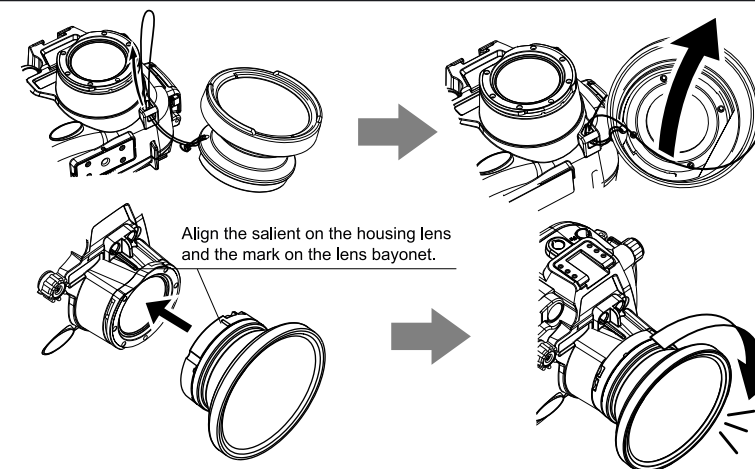
Maintenance and Storage

- Never use chemicals, cosmetics, any petroleum solvents such as paint thinner, or neutral detergent on the product. They may deform and damage the product.
- After each use in salt water, make sure it's watertight, then soak it sufficiently in fresh water.
- Insufficient soaking causes damage by salt to the product. Salty residue may be left on the product where it will crystallize as it evaporates. Crystallized salt is hard to dissolve and difficult to be removed once formed, and it will result in water leakage.

- After rinsing, dry the product well with a soft dry cloth, then let the product dry in the shade, out of direct sunlight.
- Do not dry the product by heating (using a hair dryer, for example). Heating can deform and damage the product.
- If you will not use the product for an extended period of time, store it away from high temperatures, high humidity, direct sunlight, or extreme cold.
- Do not store the product with naphthalene or camphor mothballs, or in locations such as a laboratory where chemicals are used. This environment can cause mold, rust, corrosion or malfunction.
- Every two years we recommend a complete overhaul of O-rings regardless of the frequency in use, for the best performance of the product.

How to Use

1. Put the strap of the Wide-angle conversion lens through housing as shown.
2. Align the salient on the upper surface of the housing lens and the mark on the lens bayonet, then impose the close-up lens to the housing.
3. Turn the close-up lens clockwise until it clicks.



⚠ CAUTION

- This product is designed primarily for underwater use. Although the product can be used on land, land use might distort captured images.
- After entering the water, loosen or lightly shake the lens to remove any bubbles trapped between the lens and the housing, as those bubbles may affect your images.
- Vignetting (dimmed-out image corners) may occur depending upon the aperture setting and the shooting conditions.
- When the camera's zoom lens is in its widest setting, vignetting (dimmed-out image corners) might occur with this product. If this happens, zoom the camera lens in slightly toward its telephoto setting until the vignetting disappears.
- When using this lens, the shadow of the lens will be captured in the image when the camera's built-in flash is emitted. Use of an external strobe is highly recommended for underwater photography.
- This lens may become fogged due to a sudden temperature change (when going underwater while it's warm) because it's built to expand the air inside. Soak the lens in the water right before use to avoid the lens becoming fogged due to a temperature change.

About the PASSED Label

The Pressure Test Passed label on a product indicates that the product has passed the SEA&SEA pressure test and is waterproof at depth.



Specifications

【Construction】	3 elements in 3 groups	【Weight】	406g / 14.2oz
【Lens angle】	85° (Underwater)	【Dimensions】	97x48.5mm / 3.9x1.9inch (DIAxD)
【Magnification ratio】	0.65x	【Accessories】	Strap, Lens cap (Front / Rear)
【Depth rating】	60m / 200ft		

* Specifications and appearance are subject to change without notice.

SEA&SEA SEA&SEA SUNPAK Co., Ltd.

3-2-20 Saiwaicho, Kawaguchi-shi, Saitama, 332-0016 Japan TEL.048-256-2251 <http://www.seaandsea.jp>
World Customer Service Center TEL. +81-48-255-8512 0652-Z-01