

Instruction Manual

Thank you for your purchase of a SEA&SEA product. For proper operation of the product and safe handling, please read the following instructions carefully before use. This manual should be retained for future reference.

Safety Precautions

* Failure to heed the precautions listed below could result in serious consequences. To prevent injury or damage to yourself and/or others, please observe the precautions as they contain highly important information related to personal and product safety.

⚠ CAUTION : Situations that could result in property damage or personal injury.

⚠ CAUTION

- Be sure to attach this product or lens properly. Improper attachment could result in equipment falling, damage or loss, and may cause unexpected personal injury.
- Do not mount products other than specified SEA&SEA lenses. Non-specified products may damage or fall off.
- Do not carry the camera or housing by holding the accessories such as arm, cable, strobe, etc. Heavy components may fall and cause damage or injury. Avoid strong shocks/impacts or excess stress to prevent malfunction, damage or breakdown. Make sure that the product has been securely mounted to other products in order to prevent injury, fall or missing.
- Do not leave the product in places with hot temperatures such as inside of a car or in a car trunk in summer. The heat may deform plastic parts of the product.
- SEA&SEA SUNPAK Co., Ltd. assumes no liability for compensation of loss of captured images or expenses caused by loss of images, even if you are unable to shoot due to a product defect or malfunction.
- SEA&SEA SUNPAK Co., Ltd. will not be responsible for the replacement or compensation for cameras, lenses or those accessories damaged due to your invalid operation.
- SEA&SEA SUNPAK Co., Ltd. assumes no liability for errors or discrepancies in this manual.
- Specifications and appearance are subject to change without notice.

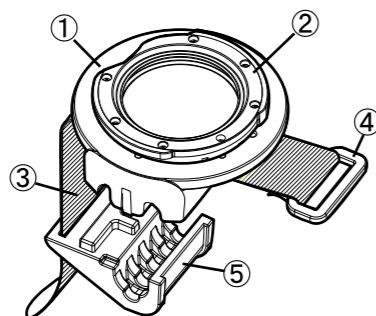
Maintenance and Storage

⚠ CAUTION

- Never use chemicals, cosmetics, any petroleum solvents such as paint thinner, or neutral detergent on the product. They may deform and damage the product.
- After each use in salt water, soak it sufficiently in fresh water.
- Insufficient soaking causes damage by salt to the product. Salty residue may be left on the product where it will crystallize as it evaporates. Crystallized salt is hard to dissolve and difficult to be removed once formed, and it will result in water leakage.
- Do not store the product in wet or high humidity place, to avoid mold, rust, corrosion or malfunction.
- After rinsing, dry the product well with a soft dry cloth, then let the product dry in the shade, out of direct sunlight.
- Do not dry the product by heating (using a hair dryer, for example). Heating can deform and damage the product.
- If you will not use the product for an extended period of time, store it away from high temperatures, high humidity, direct sunlight, or extreme cold.
- Do not store the product with naphthalene or camphor mothballs, or in locations such as a laboratory where chemicals are used. This environment can cause mold, rust, corrosion or malfunction.

Identification of Parts

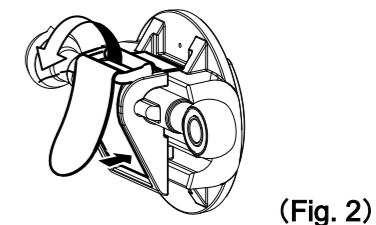
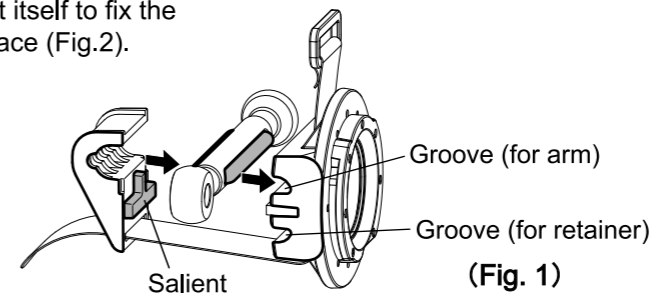
- ① Lens caddy
- ② Mount
- ③ Belt
- ④ Belt ring
- ⑤ Arm retainer



How to Use

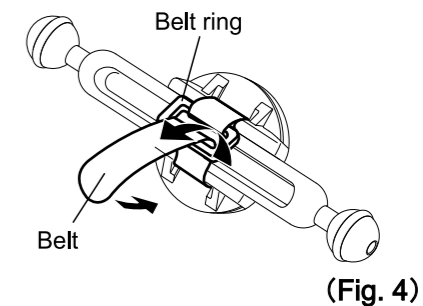
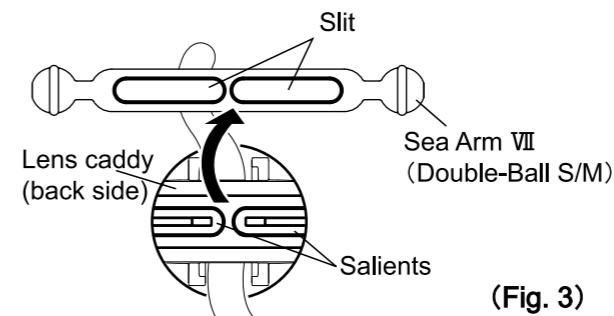
<< Attaching to the Sea Arm Light >>

1. Set the arm into the groove on the back of the lens caddy closest to the belt ring, then place the arm retainer over the arm to hold the arm in place (Fig.1).
* Note: Set the salient of the arm retainer into the other groove.
2. Pull the belt end until the belt ring snags the caddy, pass the belt through the ring, firmly pull the belt and stick the end against itself to fix the caddy in place (Fig.2).



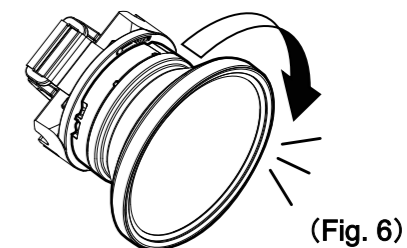
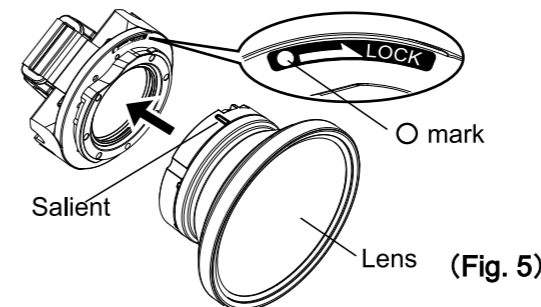
<< Attaching to the Sea Arm VII >>

1. Remove the grips (red rubber parts) from the arm (Double Ball S/M segments).
* Please refer to the instruction manual for Sea Arm VII for details.
2. Remove the arm retainer from the belt.
* The arm retainer is not used for the Sea Arm VII.
3. Firmly insert the salients on the back of the lens caddy into the slits of the arm (Fig.3).
4. Pull the belt end until the belt ring snags the caddy, pass the belt through the ring, firmly pull the belt and stick the end against itself to fix the caddy in place (Fig.4).



<< Mounting the Wide-angle Conversion Lens for DX-1G >>

1. Align the O mark on the lens caddy and the salient on the lens bayonet, then impose the lens to the caddy (Fig.5).
2. Turn the lens in the direction of the arrow (→LOCK) until it clicks (Fig.6).



Specifications

- 【Construction】 ABS resin, Polycarbonate resin
- 【Dimensions】 73x46mm / 2.9x1.8inch (DIAxD)
- 【Weight】 Approx. 80g / 2.8oz

* Specifications and appearance are subject to change without notice.

SEA&SEA SEA&SEA SUNPAK Co., Ltd.

3-2-20, Saiwai-cho, Kawaguchi-shi, Saitama, Japan 332-0016 TEL. +81-48-256-2251

<http://www.seaandsea.jp>

World Customer Service Center TEL. +81-48-255-8512